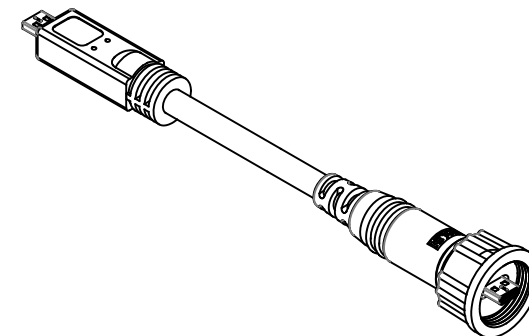
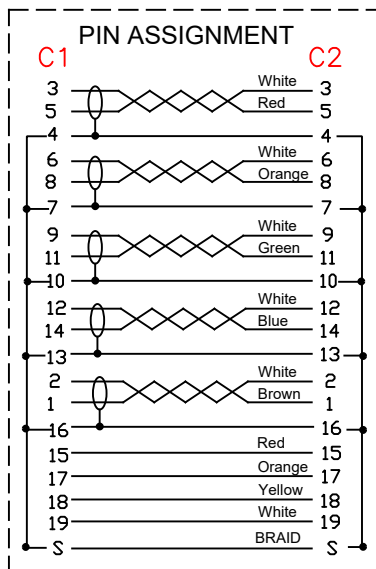
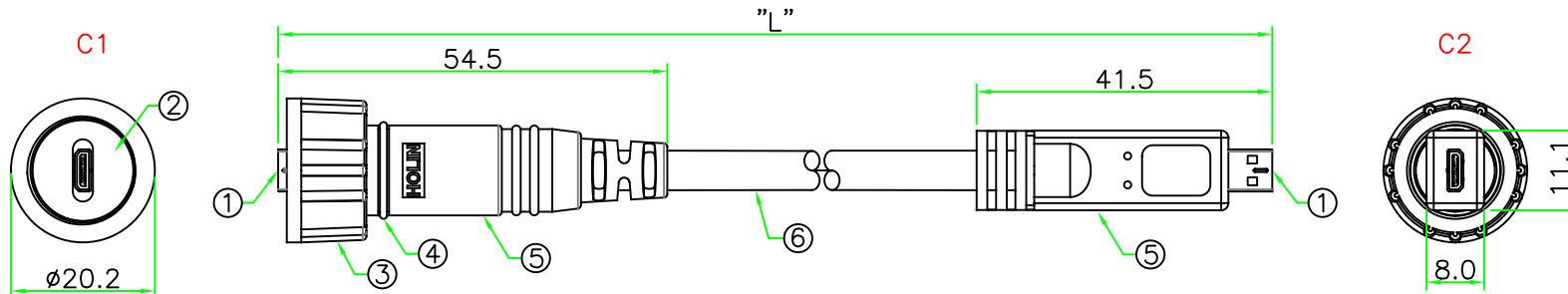


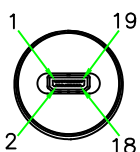
RoHS

REV.	DESCRIPTION	DATE
A	ISSUE	Dec/26/2025



P/N	L
HDMDDB-PB-1M	1000±80
HDMDDB-PB-2M	2000±80

C1,C2



PIN ASSIGNMENT FRONT VIEW
(前視圖)

HOLIN® HTP ASIA TECHNOLOGY CO., LTD.
禾凌科技股份有限公司

UNIT: mm	TITLE: HDMI D Type Male To Male Screw Type Waterproof Molded Cable
SCALE: 1:1	P/N: HDMDDB-PB-xxx
UNLESS OTHERWISE SPECIFIED TOLERANCES: .xx ±1.0 .x ±1.0 .xx ±0.5 .xxx ±0.25 ANGLE ± 1°	DR. JAMES CH. ERIC
REV. A	DWG. NO: HDMDDB-PB-xxx
SHEET 1/1	AP.

No.	PART NAME	DESCRIPTION	COLOR	Q'TY	REMARKS
6	CABLE	UL20276 [(32#*1P+D+Al/Mylar)*5C+32#*4C]+AL+D+Braid. OD=5.5mm.PVC Jacket.	BLACK	1	
5	OVER MOLD	PVC.	BLACK	2	
4	O-RING	NBR.	BLACK	1	O-1010-NK01
3	SCREW NUT	Nylon+GF.	BLACK	1	SN-BPF
2	GASKET	NBR.	BLACK	1	GSL-1415-NK05
1	CONNECTOR	HDMI D Type Male Connector (HDMI 1.4).		2	