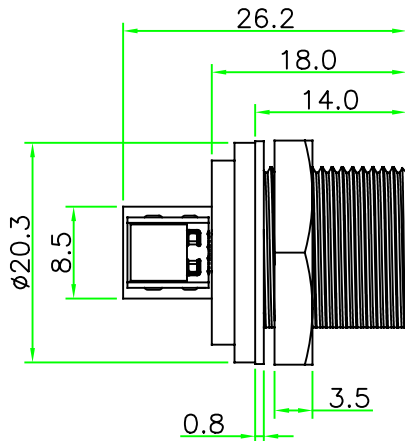
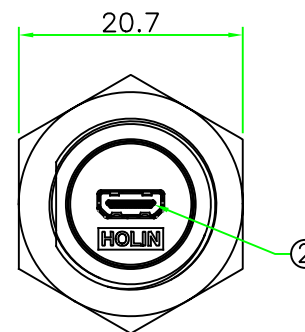
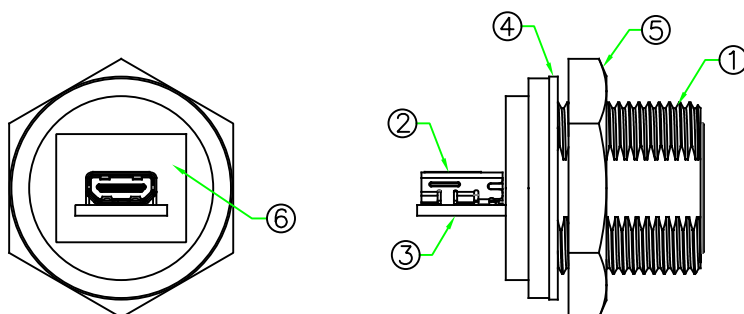
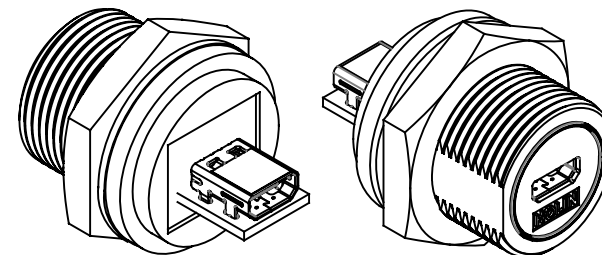


RECOMMEND
PANEL CUT OUT

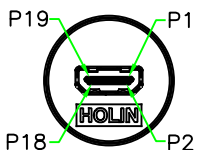
RoHS



REV.	DESCRIPTION	DATE
A	ISSUE	Dec/02/2025



FRONT VIEW
(前視圖)



PIN ASSIGNMENT
FRONT VIEW
(前視圖)

6	GLUE	Epoxy.	BLACK	1	
5	HEX NUT	Nylon+GF.	BLACK	1	
4	GASKET	EPDM.	BLACK	1	
3	PCB	FR4 . 4 Layer PCB, 1.0mm Thickness.		1	
2	CONNECTOR	HDMI D Type Female R/A PCB Connector.		2	
1	BODY	HDMI D Type Female Screw Type Panel Connector Body. Nylon+GF.	BLACK	1	
No.	PART NAME	DESCRIPTION	COLOR	Q'TY	REMARKS

HOLIN® HTP ASIA TECHNOLOGY CO., LTD.
禾凌科技股份有限公司

	UNIT: mm	TITLE: HDMI D Type Female B Size Screw Type Circular Flange Panel Connector With HDMI D Type Female
	SCALE 1:1	P/N: HDMDB-P3CSJ
UNLESS OTHERWISE SPECIFIED TOLERANCES: .xx ± 0.5 .x ± 0.5 .xx ± 0.25 .xxx ± 0.1 ANGLE ± 1°		DR. James
REV. A	SHEET 1/1	CH. Eric
		DWG.NO: HDMDB-P3CSJ
		AP.