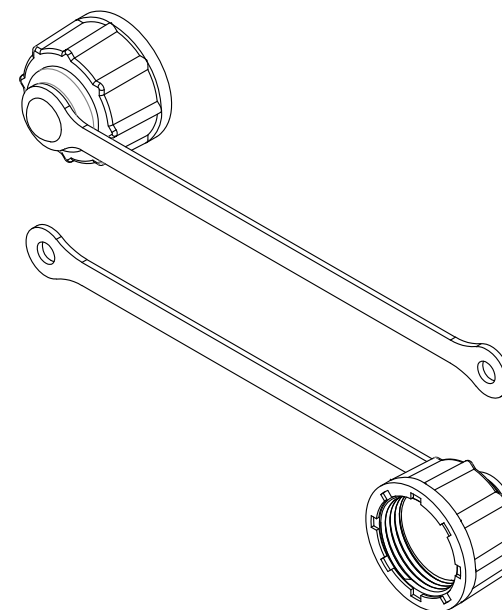
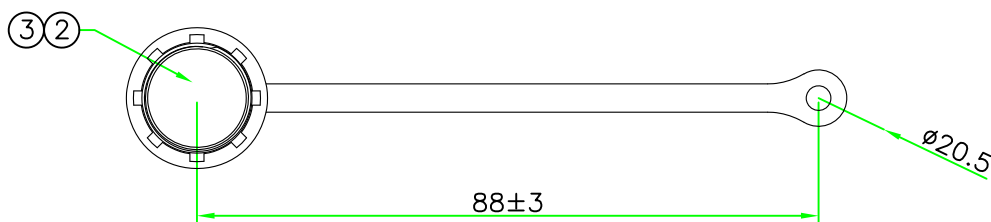
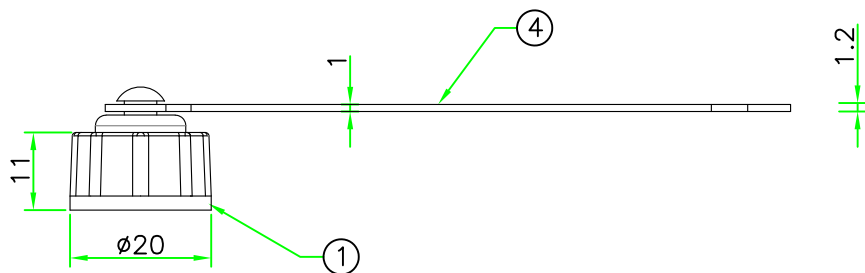
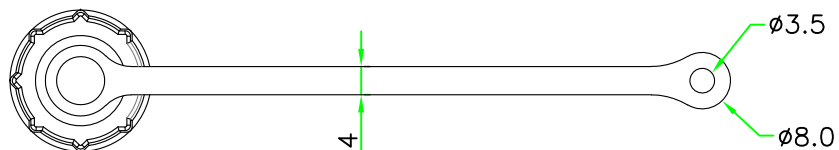
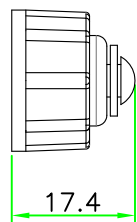


PROPRIETARY AND CONFIDENTIAL
 THE INFORMATION CONTAINED IN THIS DRAWING IS THE SOLE PROPERTY OF HTP ASIA TECHNOLOGY CO., LTD. .
 ANY REPRODUCTION IN PART OR AS A WHOLE WITHOUT THE WRITTEN PERMISSION OF HTP ASIA TECHNOLOGY CO., LTD. IS PROHIBITED.

RoHS

REV.	DESCRIPTION	DATE
A	ISSUE	Apr/18/2022



NOTE:
 Panel Thickness Max:3.0mm
 (適用面板最大厚度)

HOLIN[®] HTP ASIA TECHNOLOGY CO., LTD.
 禾凌科技股份有限公司

		UNIT:mm	TITLE	Waterproof Cap Screw Type With Plastic Chain For BNC Panel Connector
SCALE	1.5:1			
UNLESS OTHERWISE SPECIFIED TOLERANCES:			P/N:	DR. JAMES
xx. ± 1.0			CBPB-WCAP-MRC	CH. ERIC
.x ± 1.0 .xx ± 0.5				
.xxx ± 0.25 ANGLE ± 1°				
REV.	A	SHEET	DWG.NO:	AP.
		1/1	CBPB-WCAP-MRC	

No.	PART NAME	DESCRIPTION	COLOR	Q'TY	REMARKS
4	CHAIN	Hytrel.	BLACK	1	
3	GASKET	EPDM.	BLACK	1	G-1415-EK01
2	GASKET	EPDM.	BLACK	1	G-1430-EK01
1	SCREW CAP	NYLON+GF.	BLACK	1	