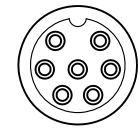
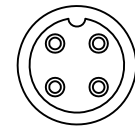
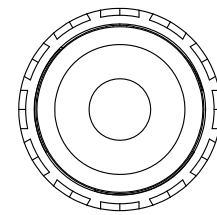
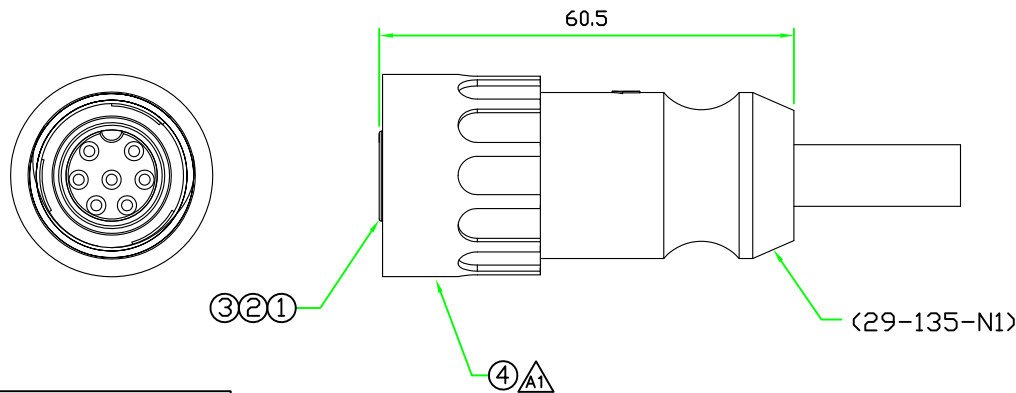
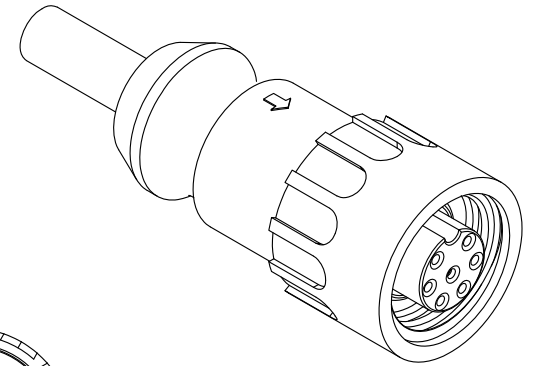
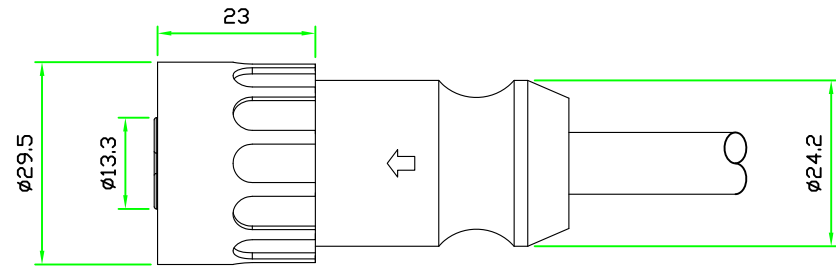
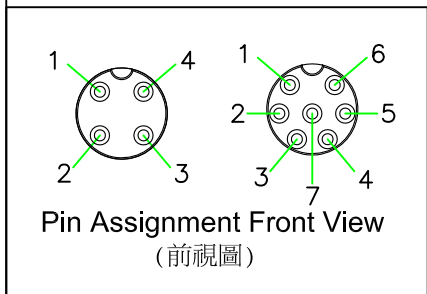


RoHS

REV.	DESCRIPTION	DATE
A	ISSUE	Sep/18/2008
A1	Change screw nut shape & pin Plating.	Dec/05/2013



CPP-P204SN CPP-P207SN



HOLIN[®] HTP ASIA TECHNOLOGY CO., LTD.
禾凌科技股份有限公司

No.	PART NAME	DESCRIPTION	COLOR	Q'TY	REMARKS
4	SCREW NUT	NYLON+GF. Δ 1	BLACK	1	
3	O-RING	NBR.	BLACK	1	P-SN-F (65-135-N4)
2	CONTACT	BRASS, FEMALE PIN, 6u" GOLD PLATED. Δ 1		N	CPP-7FC-S
1	CONNECTOR	NYLON+GF.	BLACK	1	CPP-C2xF-S (27-135-N2)

 SCALE 1:1 <small>UNLESS OTHERWISE SPECIFIED TOLERANCES:</small> x ± 0.25 xx ± 0.1 xxx ± 0.05 ANGLE $\pm 1'$ REV. A1 SHEET 1/1	TITLE CIRCULAR P SIZE FEMALE SCREW TYPE MOLDED CABLE P/N: CPP-P2xxSN DWG.NO: CPP-P2xxSN	DR. JACK CH. MICHAEL AP.
--	--	---