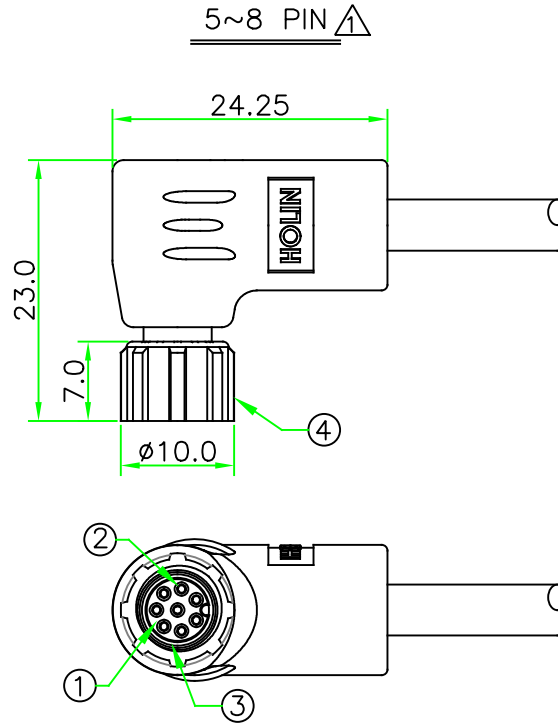
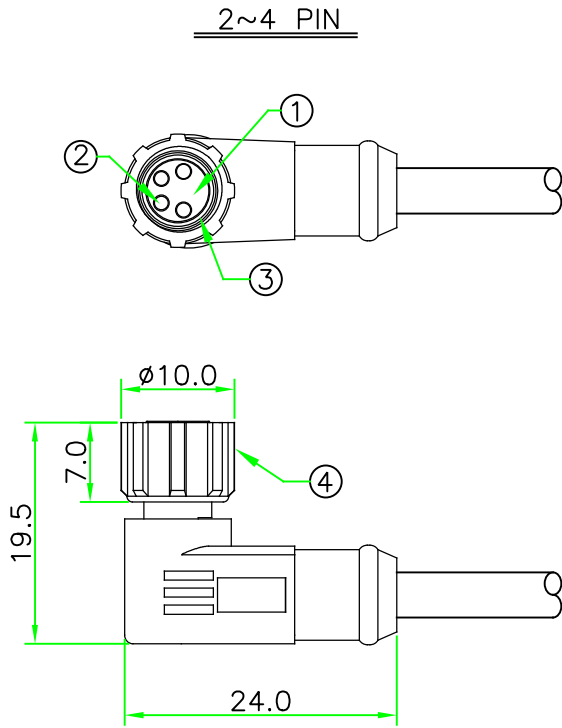


RoHS

REV.	DESCRIPTION	DATE
A	ISSUE	Apr/30/2015
A1	Add 7~8PIN & Correct Pin Assignment.	Oct/25/2018
NOTE1	Add 5~8 pin overmolded shape.	Jul/17/2024

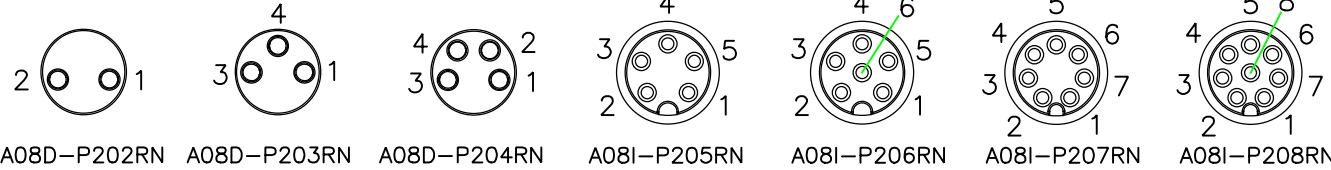


NOTES:  $\Delta 1$

1. ELECTRICAL CHARACTERISTICS:  
 CURRENT RATING: 1.5A / 3A  
 TEMPERATURE RANGE: -20°C TO +80°C  
 DIELECTRIC WITHSTANDING VOLTAGE:  
 500V AC FOR ONE MINUTE

2. HOW TO ORDER: A08x-P2xxRN

- 02 - 2 PINS
  - 03 - 3 PINS
  - 04 - 4 PINS
  - 05 - 5 PINS
  - 06 - 6 PINS
  - 07 - 7 PINS
  - 08 - 8 PINS
- I - CURRENT RATING 1.5A  
 D - CURRENT RATING 3A



PIN ASSIGNMENT FRONT VIEW(前視圖)  $\Delta 1$

4	RING NUT	Nylon+GF.		1	
3	O-Ring	Viton.		1	
2	CONTACT	Brass, 6 u" Gold plated .Female Contact.		N	
1	CONNECTOR	M8 A-Coding Female Connector Insert. Nylon+GF.	BLACK	1	
No.	PART NAME	DESCRIPTION	COLOR	Q'TY	REMARKS

\*Cable specification and length can be customized.

**HOLIN**® HTP ASIA TECHNOLOGY CO., LTD.  
 禾凌科技股份有限公司

	UNIT: mm	TITLE :	M8 A-Coding Female R/A molded cable
SCALE	1.5:1	P/N:	A08x-P2xxRN
UNLESS OTHERWISE SPECIFIED TOLERANCES: .xx ± 1.0 .x ± 1.0 .xx ± 0.5 .xxx ± 0.25 ANGLE ± 1'		DR.	SIBYL
REV.	SHEET	DWG.NO:	A08x-P2xxRN
A1	1/1	AP.	