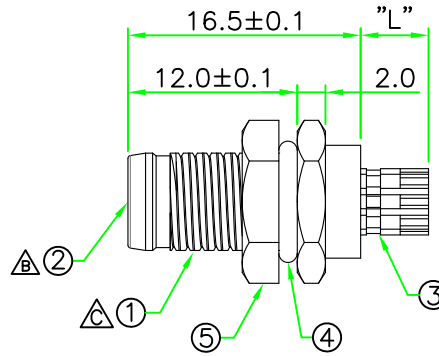


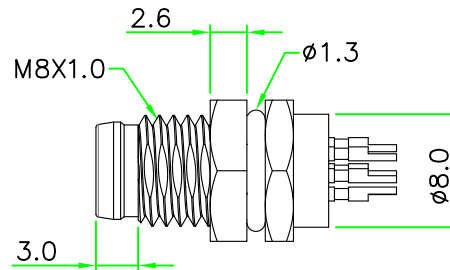
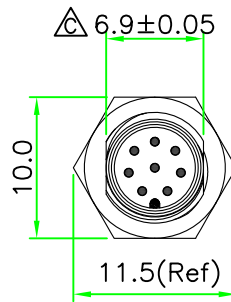
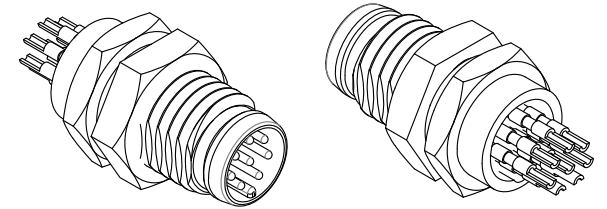
RECOMMENDED
PANEL CUT OUT

RoHS

REV.	DESCRIPTION	DATE
A	ISSUE	Feb/15/2019
B	Change Connector inset design.	Sep/06/2021
C	Change Metal Body Design .	Apr/21/2022



PIN	L
5~6P	2.3
7~8P	4.8



NOTES:

1. ELECTRICAL CHARACTERISTICS:

CURRENT RATING: 1.5A

TEMPERATURE RANGE: -25°C TO +85°C

DIELECTRIC WITHSTANDING VOLTAGE:

500V AC FOR ONE MINUTE

2. PANEL THICKNESS MAX. 5.0mm

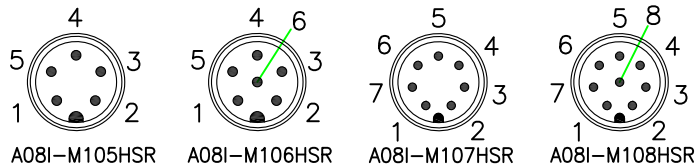
3. HOW TO ORDER: A08I-M1xxHSR

05 - 5 PINS

06 - 6 PINS

07 - 7 PINS

08 - 8 PINS



PIN ASSIGNMENT FRONT VIEW

(前視圖)

5	HEX NUT	BRASS, Nickel Plated.		1	
4	O-RING	Silicon.	BLACK	1	
3	CONTACT	BRASS , 6 u" Gold Plated . Male Contact.		N	
2	CONNECTOR	M8 A-Coding Male Connector Inset. Nylon+GF. Δ	BLACK	1	
1	SHELL	BRASS, Nickel Plated.		1	
No.	PART NAME	DESCRIPTION	COLOR	Q'TY	REMARKS

HOLIN [®] HTP ASIA TECHNOLOGY CO., LTD. 禾凌科技股份有限公司		TITLE M8 A-Coding Male Panel Connector Rear Mount Hex Flange With Solder Pin	
	UNIT: mm		
	SCALE 2:1		
UNLESS OTHERWISE SPECIFIED TOLERANCES: .x ± 0.25 .xx ± 0.1 .xxx ± 0.05 ANGLE ± 1'		P/N: A08I-M1xxHSR	DR. JAMES
REV. C	SHEET 1/1	DWG.NO: A08I-M1xxHSR	CH. ERIC
			AP.