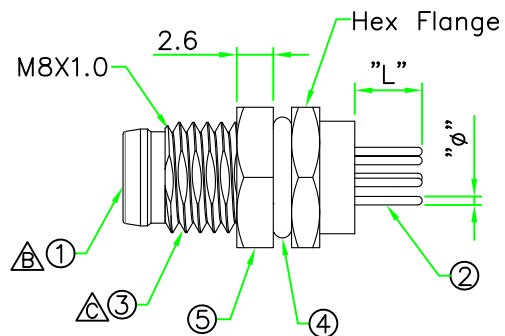
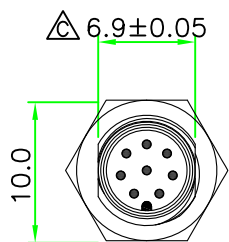
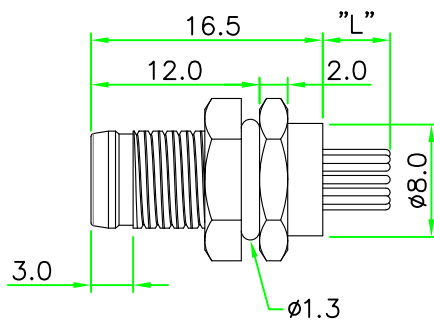
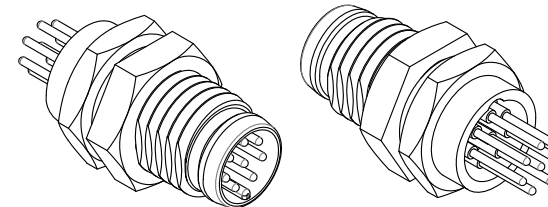


RECOMMENDED
PANEL CUT OUT

RoHS



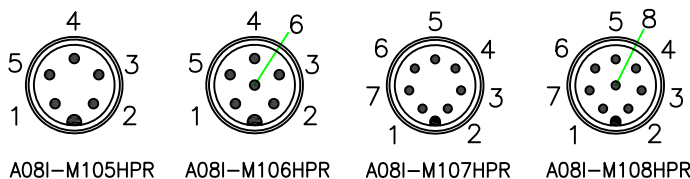
PIN	L	φ
5~6P	4.8	0.7
7~8P	4.8	0.6



NOTES:

- ELECTRICAL CHARACTERISTICS:
CURRENT RATING: 1.5A
TEMPERATURE RANGE: -25°C TO +85°C
DIELECTRIC WITHSTANDING VOLTAGE:
500V AC FOR ONE MINUTE
- Panel Thickness Max. 5mm.
- HOW TO ORDER: A08I-M1xxHPR

05 - 5 PINS 06 - 6 PINS
07 - 7 PINS 08 - 8 PINS



PIN ASSIGNMENT FRONT VIEW (前視圖)

※PCB Layout Next Page.

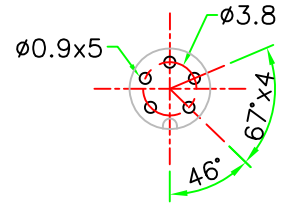
5	HEX NUT	Brass, Nickel Plated.		1	
4	O-RING	Silicon.	BLACK	1	
3	SHELL	Brass, Nickel Plated.		1	
2	CONTACT	Brass, 6 u" Gold Plated. Male Contact.		N	
1	CONNECTOR	M8 A-Coding Male Connector Insert. Nylon+GF.	BLACK	1	
No.	PART NAME	DESCRIPTION	COLOR	Q'TY	REMARKS

HOLIN® HTP ASIA TECHNOLOGY CO., LTD.
禾凌科技股份有限公司

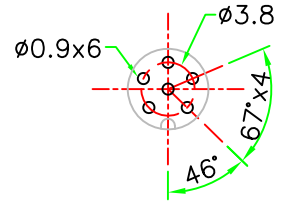
	UNIT: mm	TITLE M8 A-Coding Male Panel Connector Rear mount Hex Flange With PCB Pin	
	SCALE 2:1	P/N: A08I-M1xxHPR	
UNLESS OTHERWISE SPECIFIED TOLERANCES: .x ± 0.5 .xx ± 0.25 .xxx ± 0.1 ANGLE ± 1°		DR. JAMES	
REV. C	SHEET 1/2	CH. ERIC	
		DWG.NO: A08I-M1xxHPR	
		AP.	

REV.	DESCRIPTION	DATE
A	ISSUE	Aug/31/2015
B	Change Design & correct Draw No.	Oct/24/2019
C	Change Metal Body Design .	Apr/21/2022

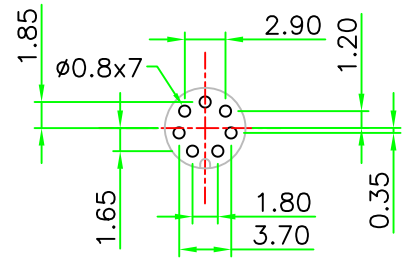
PCB LAYOUT 



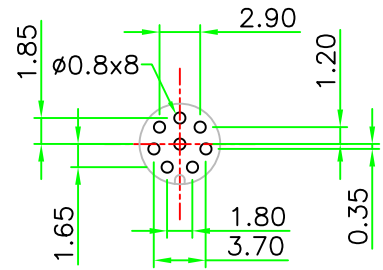
A08I-M105HPR






A08I-M106HPR



A08I-M107HPR



A08I-M108HPR

HOLIN[®] HTP ASIA TECHNOLOGY CO., LTD. 禾凌科技股份有限公司			
	UNIT: mm	TITLE M8 A-Coding Male Panel Connector Rear mount Hex Flange With PCB Pin	
SCALE	2:1		
UNLESS OTHERWISE SPECIFIED TOLERANCES: .X ± 0.5 .XX ± 0.25 .XXX ± 0.1 ANGLE ± 1°		P/N: A08I-M1xxHPR 	DR. JAMES CH. ERIC
REV. C	SHEET 2/2	DWG.NO: A08I-M1xxHPR 	AP.