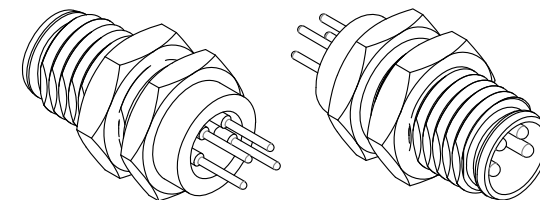
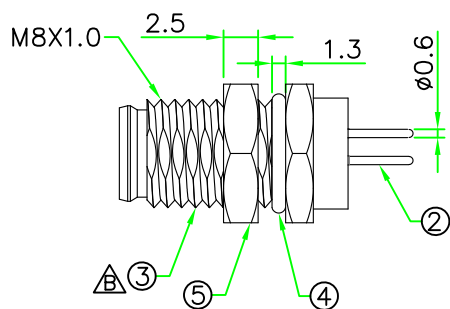
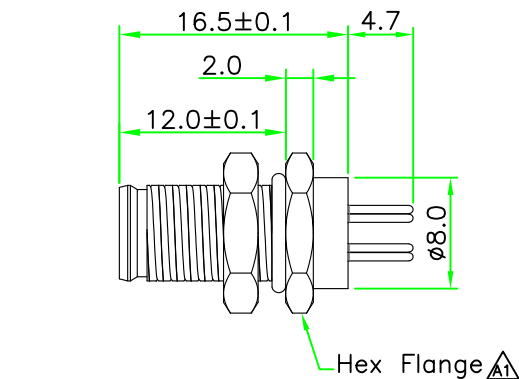
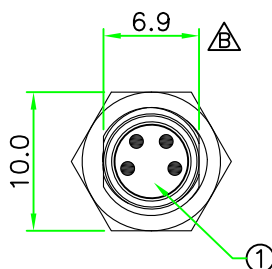


RECOMMENDED
PANEL CUT OUT

RoHS

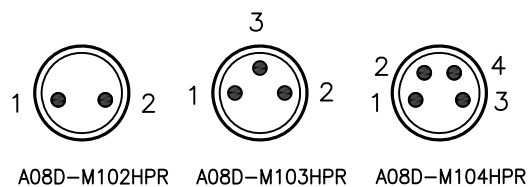
IP67



NOTES:

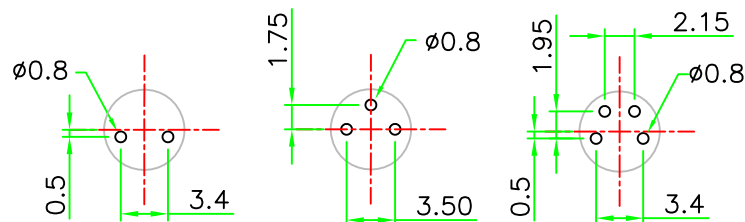
- ELECTRICAL CHARACTERISTICS:
CURRENT RATING: 3A
TEMPERATURE RANGE: -25°C TO +85°C
DIELECTRIC WITHSTANDING VOLTAGE:
500V AC FOR ONE MINUTE
- Panel Thickness Max. 4mm.
- HOW TO ORDER: A08D-M1xxHPR

- 02 - 2 PINS
- 03 - 3 PINS
- 04 - 4 PINS



PIN ASSIGNMENT FRONT VIEW

(前視圖)



PCB LAYOUT

HOLIN® HTP ASIA TECHNOLOGY CO., LTD.
禾凌科技股份有限公司

5	HEX NUT	BRASS, Nickel Plated.		1	
4	O-RING	Silicon.	BLACK	1	
3	SHELL	BRASS, Nickel Plated.		1	
2	CONTACT	BRASS, 6 u" Gold Plated. Male Contact.		N	
1	CONNECTOR	M8 A-Coding Male Connector Insert. Nylon+GF.	BLACK	1	
No.	PART NAME	DESCRIPTION	COLOR	Q'TY	REMARKS

UNIT: mm	TITLE	M8 A-Coding Male Panel Connector Rear Mount Hex Flange With PCB Pin
SCALE	2:1	
UNLESS OTHERWISE SPECIFIED TOLERANCES: .X ± 0.5 .XX ± 0.25 .XXX ± 0.1 ANGLE ± 1'	P/N:	A08D-M1xxHPR
REV. B	SHEET 1/1	DWG.NO: A08D-M1xxHPR
		DR. JAMES CH. ERIC AP.