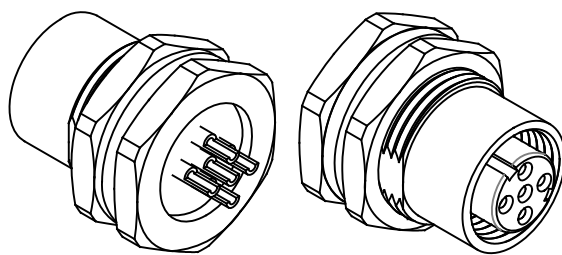
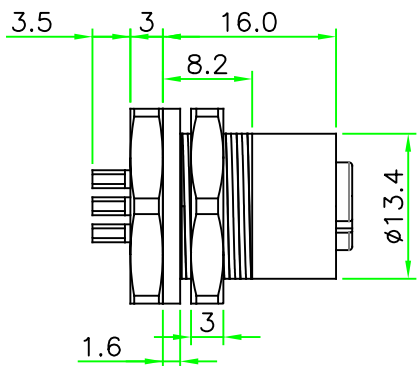


Recommended Panel Cut Out

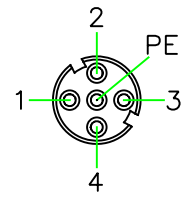
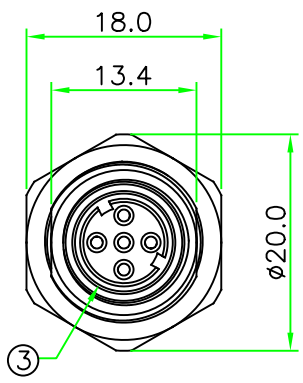
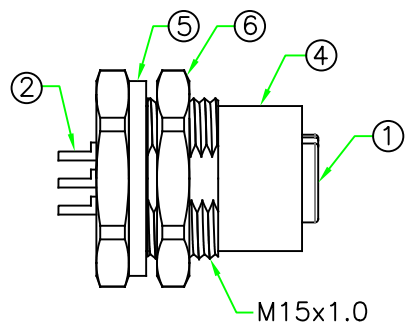
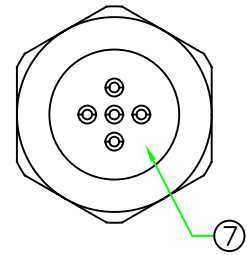
RoHS

Note: Hex nut & gasket does not come packaged separately  
(Hex nut & gasket不組裝另外包裝)

REV.	DESCRIPTION	DATE
A	ISSUE	Jan/02/2026



NOTES:  
 1. ELECTRICAL CHARACTERISTICS:  
 CURRENT RATING: 4A  
 VOLTAGE RATING: 60V a.c. or d.c.  
 TEMPERATURE RANGE: -25°C TO +85°C  
 DIELECTRIC WITHSTANDING VOLTAGE:  
 500V AC FOR ONE MINUTE  
 2. PANEL THICKNESS : 3mm Max.



PIN ASSIGNMENT FRONT VIEW  
(前視圖)

No.	PART NAME	DESCRIPTION	COLOR	Q'TY	REMARKS
7	GLUE	Epoxy.	BLACK	1	
6	HEX NUT	BRASS, Nickel Plated.		1	
5	GASKET	EPDM.	BLACK	1	
4	HOUSING	BRASS, Nickel Plated.		1	
3	O-RING	VITON.	BLACK	1	
2	CONTACT	BRASS , 6 u" Gold Plated. Female Contact.		5	
1	CONNECTOR	M12 P-Coding Female Connector Insert.	BLACK	1	

**HOLIN®** HTP ASIA TECHNOLOGY CO., LTD.  
 禾凌科技股份有限公司

UNIT: mm  
 SCALE: 1.5:1

UNLESS OTHERWISE SPECIFIED TOLERANCES:  
 .XX ± 0.5  
 .X ± 0.5 .XX ± 0.25  
 .XXX ± 0.1 ANGLE ± 1°

REV. A SHEET 1/1 DWG.NO: P12D-M205HSR

TITLE: M12 P-Coding Female Connector Rear Mount Hex Flange Solder Bucket Pin

P/N: P12D-M205HSR

DR. JAMES  
 CH. ERIC  
 AP.