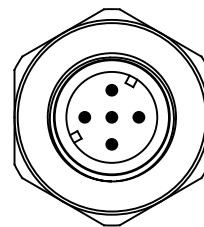
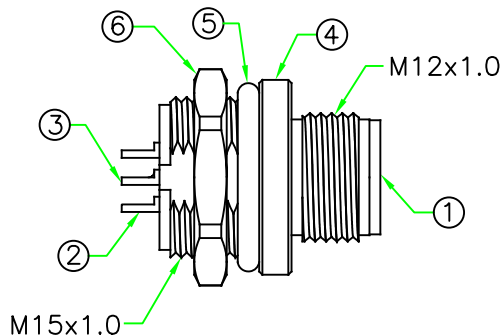
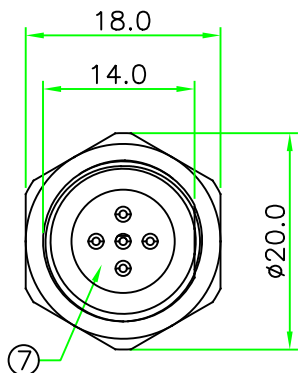
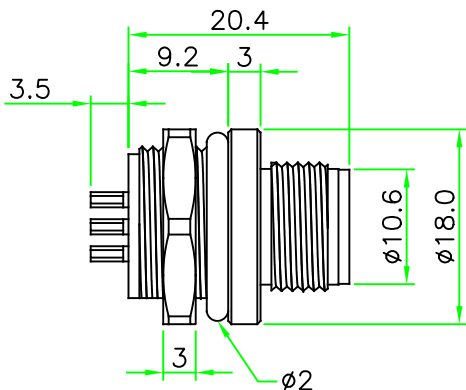


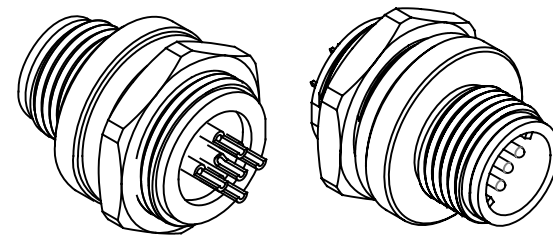
Recommended Panel Cut Out

RoHS

Note: Hex nut & gasket does not come packaged separately
(Hex nut & gasket不組裝另外包裝)

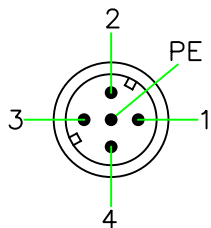


REV.	DESCRIPTION	DATE
A	ISSUE	Dec/29/2025



NOTES:

- ELECTRICAL CHARACTERISTICS:
CURRENT RATING: 4A
VOLTAGE RATING: 60V a.c. or d.c.
TEMPERATURE RANGE: -25°C TO +85°C
DIELECTRIC WITHSTANDING VOLTAGE: 500V AC FOR ONE MINUTE
- PANEL THICKNESS : 3mm Max.



PIN ASSIGNMENT FRONT VIEW
(前視圖)

No.	PART NAME	DESCRIPTION	COLOR	Q'TY	REMARKS
7	GLUE	Epoxy.	BLACK	1	
6	HEX NUT	BRASS, Nickel Plated.		1	
5	O-RING	SILICON.	RED	1	
4	HOUSING	BRASS, Nickel Plated.		1	
3	CONTACT	BRASS , 6 u" Gold Plated. Male Contact.		1	
2	CONTACT	BRASS , 6 u" Gold Plated. Male Contact.		4	
1	CONNECTOR	M12 P-Coding Male Connector Insert.	BLACK	1	

HOLIN® HTP ASIA TECHNOLOGY CO., LTD.
禾凌科技股份有限公司

UNIT: mm
SCALE: 1.5:1

UNLESS OTHERWISE SPECIFIED TOLERANCES:
XX ± 0.5
.X ± 0.5 .XX ± 0.25
.XXX ± 0.1 ANGLE ± 1°

REV. A SHEET 1/1 DWG.NO: P12D-M105CSF

TITLE: M12 P-Coding Male Connector Front Mount Circular Flange Solder Bucket Pin

P/N: P12D-M105CSF

DR. JAMES
CH. ERIC
AP.