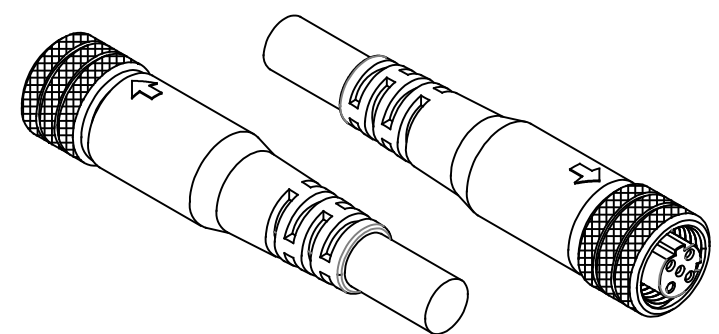
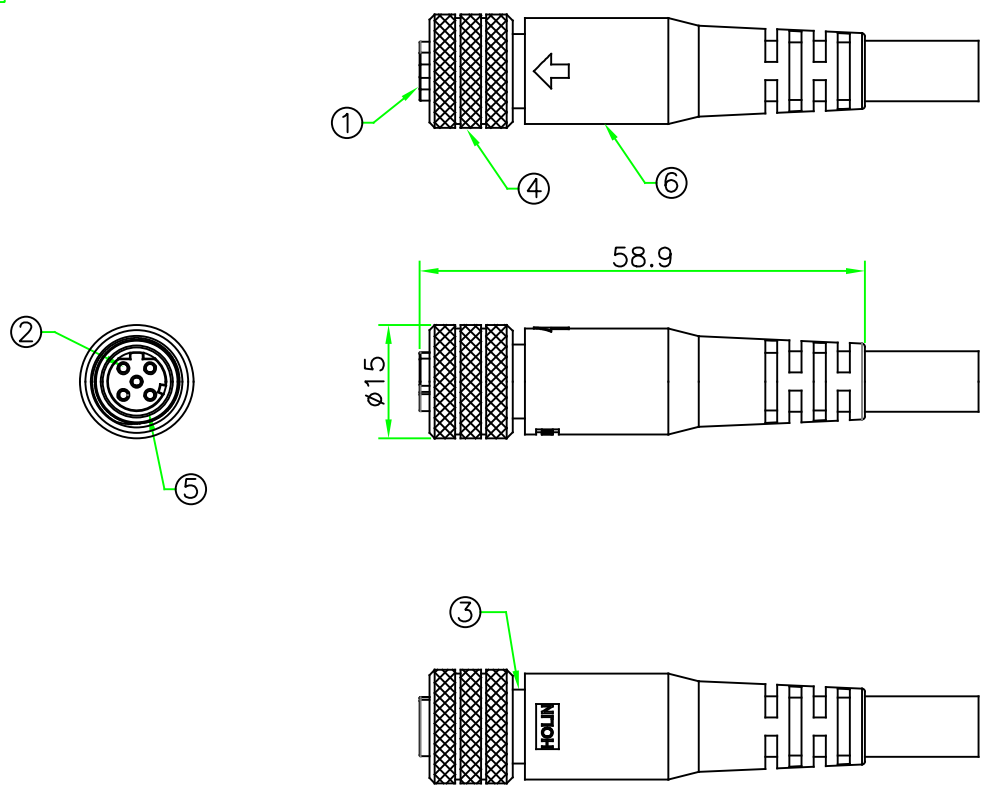
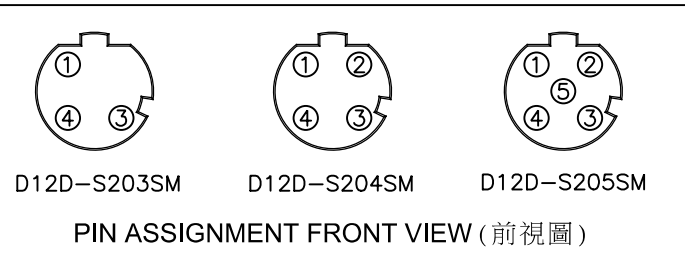


RoHS

| REV. | DESCRIPTION | DATE |
|------|-------------|-------------|
| A | ISSUE | Mar/05/2025 |
| | | |
| | | |



NOTES:
 1. ELECTRICAL CHARACTERISTICS:
 CURRENT RATING: 4A
 TEMPERATURE RANGE: -20°C TO +80°C
 DIELECTRIC WITHSTANDING VOLTAGE:
 500V AC FOR ONE MINUTE
 2. HOW TO ORDER: D12D-S2xxSM
 └── 03 - 3 PINS
 └── 04 - 4 PINS
 └── 05 - 5 PINS



*Cable specification and length can be customized.

HOLIN® HTP ASIA TECHNOLOGY CO., LTD.
 禾凌科技股份有限公司

| No. | PART NAME | DESCRIPTION | COLOR | Q'TY | REMARKS | REV. | SHEET | DWG.NO: | AP. |
|-----|--------------|---|-------|------|---------|--|-----------|---|-----------|
| 6 | OVERMOLD | PU or PVC. | BLACK | 1 | 98-135 | UNIT: mm | 1/1 | TITLE : M12 D-Coding Female Shielded Molded Cable | DR. SIBYL |
| 5 | O-RING | Viton. | BLACK | 1 | | SCALE 1:1 | | | CH. JAMES |
| 4 | RING NUT | Brass, Nickel Plated. | | 1 | | UNLESS OTHERWISE SPECIFIED TOLERANCES: | | P/N: D12D-S2xxSM | |
| 3 | METAL SLEEVE | Brass, Nickel Plated. | | 1 | | xx. ± 1.0 | | | |
| 2 | CONTACT | Brass, 6 u" Gold Plated. Female Contact. | | N | | .x ± 1.0 .xx ± 0.5 | | | |
| 1 | CONNECTOR | M12 D-Coding Female Connector Insert. Nylon+GF. | BLACK | 1 | | .xxx ± 0.25 ANGLE ± 1° | | | |
| | | | | | | REV. A | SHEET 1/1 | D12D-S2xxSM | AP. |