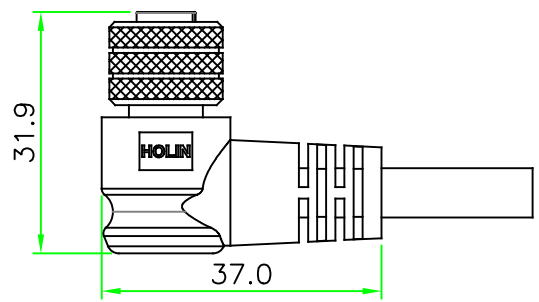
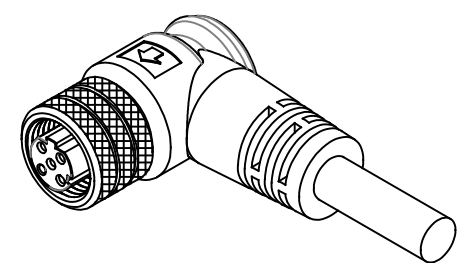
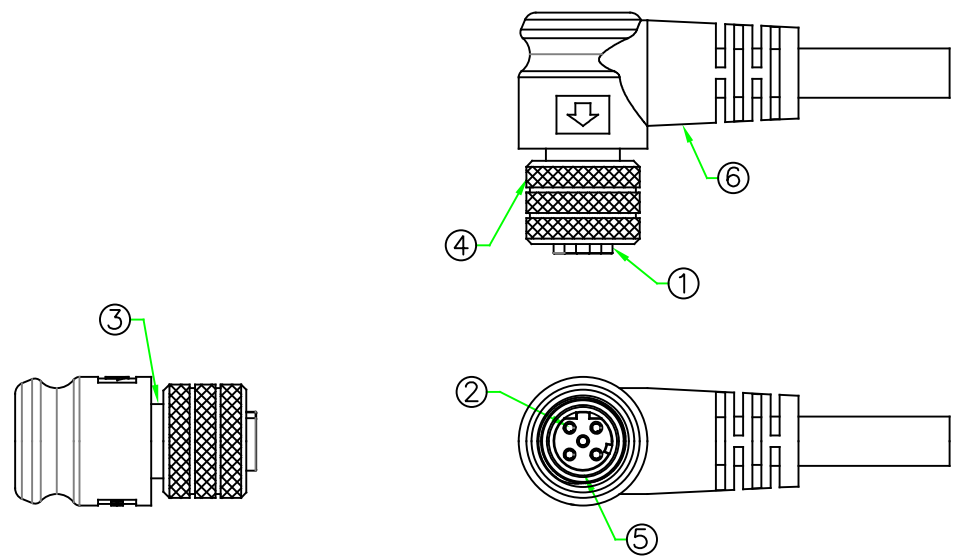
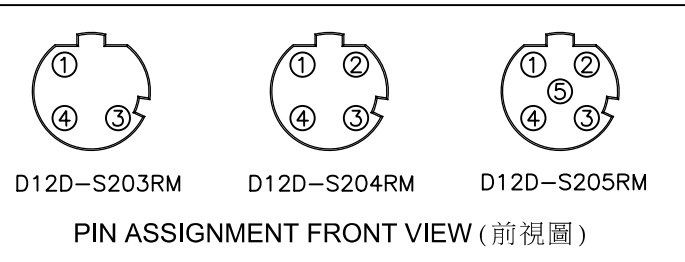


RoHS

REV.	DESCRIPTION	DATE
A	ISSUE	Mar/05/2025



NOTES:
 1. ELECTRICAL CHARACTERISTICS:
 CURRENT RATING: 4A
 TEMPERATURE RANGE: -20°C TO +80°C
 DIELECTRIC WITHSTANDING VOLTAGE:
 500V AC FOR ONE MINUTE
 2. HOW TO ORDER: D12D-S2xxRM
 03 - 3 PINS
 04 - 4 PINS
 05 - 5 PINS



*Cable specification and length can be customized.

HOLIN® HTP ASIA TECHNOLOGY CO., LTD.
 禾凌科技股份有限公司

No.	PART NAME	DESCRIPTION	COLOR	Q'TY	REMARKS
6	OVERMOLD	PU or PVC.	BLACK	1	90-135
5	O-RING	Viton.	BLACK	1	
4	RING NUT	Brass, Nickel Plated.		1	
3	METAL SLEEVE	Brass, Nickel Plated.		1	
2	CONTACT	Brass, 6 u" Gold Plated. Female Contact.		N	
1	CONNECTOR	M12 D-Coding Female Connector Insert. Nylon+GF.	BLACK	1	

UNIT: mm	TITLE : M12 D-Coding Female Shielded R/A Molded Cable
SCALE 1:1	
UNLESS OTHERWISE SPECIFIED TOLERANCES: .XX ± 1.0 .X ± 1.0 .XX ± 0.5 .XXX ± 0.25 ANGLE ± 1°	P/N: D12D-S2xxRM
REV. A	DR. SIBYL
SHEET 1/1	CH. JAMES
	AP.
	DWG.NO: D12D-S2xxRM