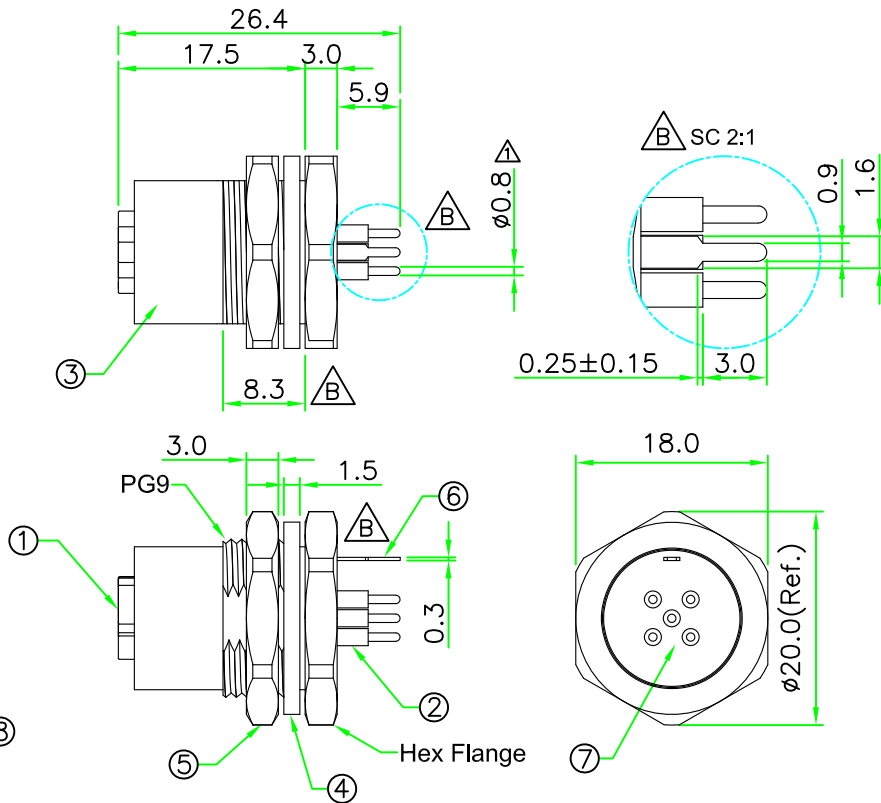
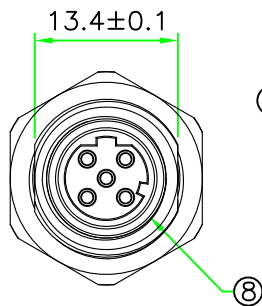
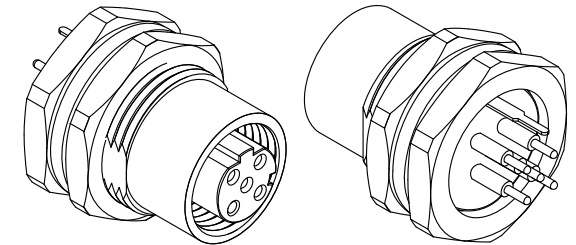


Recommended Panel Cut Out

RoHS
IP66~68



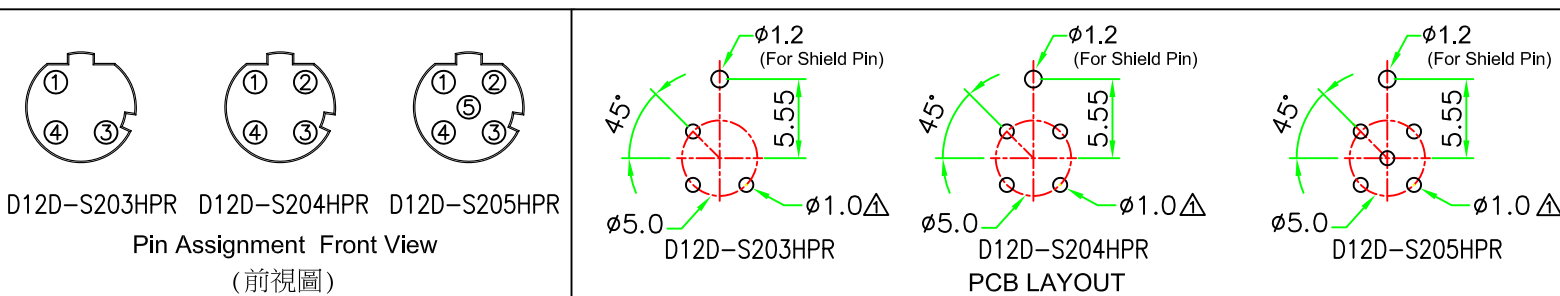
| REV. | DESCRIPTION | DATE |
|------|-----------------------------|-------------|
| A | ISSUE | Ju/08/2015 |
| B | Change Shielded Pin Design. | Oct/19/2018 |



- NOTES:
- ELECTRICAL CHARACTERISTICS:
CURRENT RATING: 4A
TEMPERATURE RANGE: -25°C TO +85°C
DIELECTRIC WITHSTANDING VOLTAGE:
500V AC FOR ONE MINUTE
 - PANEL THICKNESS MAX. 3.0mm
 - HOW TO ORDER: D12D-S2xxHPR

- 03 - 3 PIN
- 04 - 4 PIN
- 05 - 5 PIN

Notes:
1. Correct PCB hole dia. & add pin dia.



| No. | PART NAME | DESCRIPTION | COLOR | Q'TY | REMARKS |
|-----|------------|---|-------|------|---------|
| 8 | O-RING | Viton. | BLACK | 1 | |
| 7 | GLUE | Epoxy. | BLACK | 1 | |
| 6 | SHIELD PIN | Brass, Nickel Plated. | | 1 | |
| 5 | HEX NUT | Brass, Nickel Plated. PG9 Thread. | | 1 | |
| 4 | GASKET | Rubber. | BLACK | 1 | |
| 3 | HOUSING | Brass, Nickel Plated. | | 1 | |
| 2 | CONTACT | Brass, 6 u" Gold Plated . Female Contact. | | N | |
| 1 | CONNECTOR | M12 D-Coding Female Connector Insert. Nylon+GF. | BLACK | 1 | |

HOLIN® HTP ASIA TECHNOLOGY CO., LTD.
禾凌科技股份有限公司

| | |
|--|--|
| UNIT: mm | TITLE : M12 D-Coding Female Connector Female Pin Rear Mount Hex Flange PCB Mount PCB Pin with Shield Pin |
| SCALE 1.5:1 | |
| UNLESS OTHERWISE SPECIFIED TOLERANCES: .x ± 0.5 .xx ± 0.25 .xxx ± 0.1 ANGLE ± 1° | P/N: D12D-S2xxHPR |
| REV. B SHEET 1/1 | DWG.NO: D12D-S2xxHPR |
| | DR. JAMES CH. ERIC AP. |