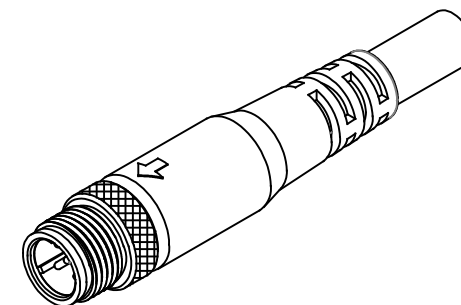
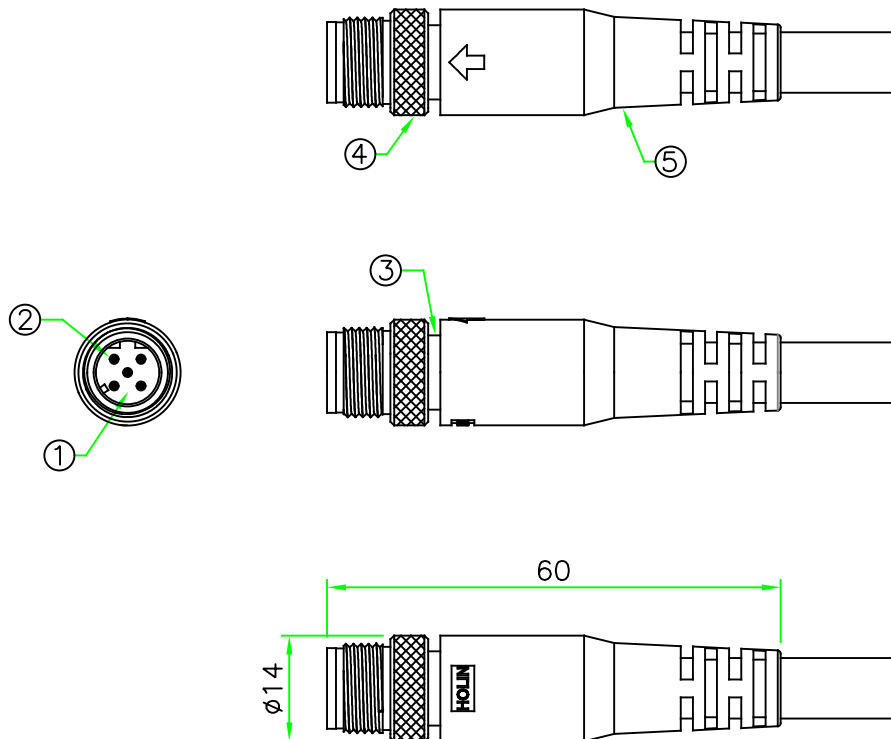


RoHS

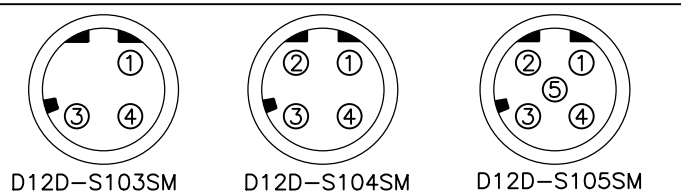
REV.	DESCRIPTION	DATE
A	ISSUE	Mar/14/2025



NOTES:

- ELECTRICAL CHARACTERISTICS:
CURRENT RATING: 4A
TEMPERATURE RANGE: -20°C TO +80°C
DIELECTRIC WITHSTANDING VOLTAGE:
500V AC FOR ONE MINUTE
- HOW TO ORDER: D12D-S1xxSM

- 03 - 3 PINS
- 04 - 4 PINS
- 05 - 5 PINS



PIN ASSIGNMENT FRONT VIEW (前視圖)

*Cable specification and length can be customized.

5	OVERMOLD	PU or PVC.	BLACK	1	98-135
4	RING NUT	Brass, Nickel Plated.		1	
3	METAL SLEEVE	Brass, Nickel Plated.		1	
2	CONTACT	Brass, 6 u" Gold Plated. Male Contact.		N	
1	CONNECTOR	M12 D-Coding Male Connector Insert. Nylon+GF.	BLACK	1	
No.	PART NAME	DESCRIPTION	COLOR	Q'TY	REMARKS

HOLIN® HTP ASIA TECHNOLOGY CO., LTD. 禾凌科技股份有限公司					
	UNIT: mm	TITLE : M12 D-Coding Male Shielded Molded Cable			
SCALE	1:1	P/N: D12D-S1xxSM		DR. SIBYL	
UNLESS OTHERWISE SPECIFIED TOLERANCES: .X ± 1.0 .XX ± 0.5 .XXX ± 0.25 ANGLE ± 1°		REV. A		SHEET 1/1	
DWG.NO: D12D-S1xxSM		AP.		CH. JAMES	