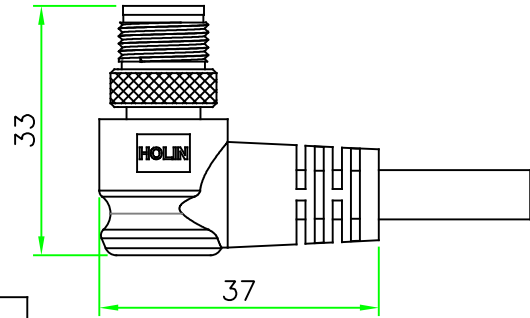
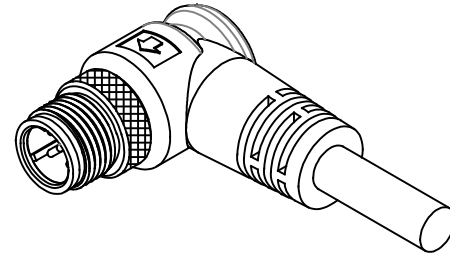
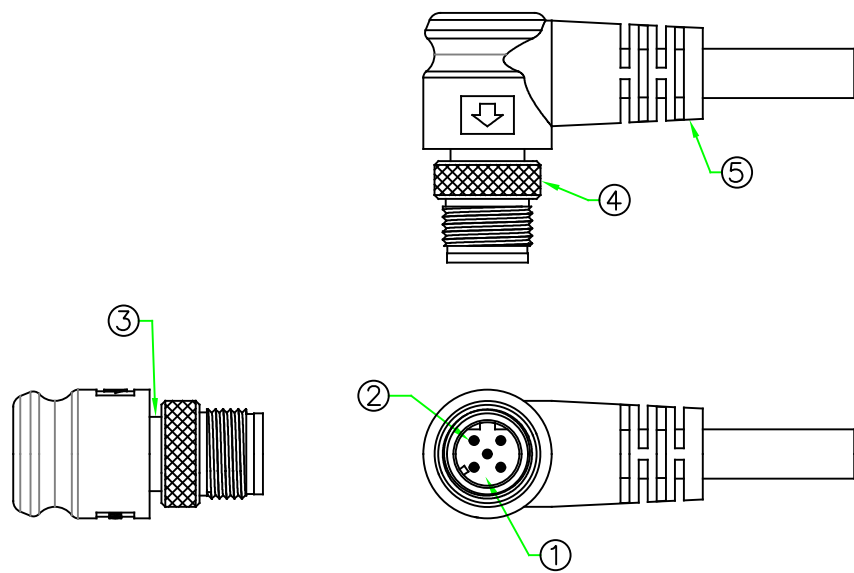
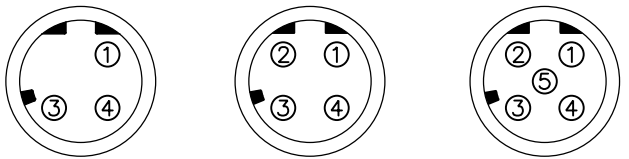


RoHS

REV.	DESCRIPTION	DATE
A	ISSUE	Mar/14/2025



- NOTES:
- ELECTRICAL CHARACTERISTICS:  
 CURRENT RATING: 4A  
 TEMPERATURE RANGE: -20°C TO +80°C  
 DIELECTRIC WITHSTANDING VOLTAGE:  
 500V AC FOR ONE MINUTE
  - HOW TO ORDER: D12D-S1xxRM  
 03 - 3 PINS  
 04 - 4 PINS  
 05 - 5 PINS



D12D-S103RM      D12D-S104RM      D12D-S105RM

PIN ASSIGNMENT FRONT VIEW (前視圖)

\*Cable specification and length can be customized.

No.	PART NAME	DESCRIPTION	COLOR	Q'TY	REMARKS
5	OVERMOLD	PU or PVC.	BLACK	1	90-135
4	RING NUT	Brass, Nickel Plated.		1	
3	METAL SLEEVE	Brass, Nickel Plated.		1	
2	CONTACT	Brass, 6 u" Gold Plated. Male Contact.		N	
1	CONNECTOR	M12 D-Coding Male Connector Insert. Nylon+GF.	BLACK	1	

<b>HOLIN®</b> HTP ASIA TECHNOLOGY CO., LTD. 禾凌科技股份有限公司					
	UNIT: mm	TITLE : M12 D-Coding Male Shielded R/A Molded Cable			
SCALE	1:1	P/N:		D12D-S1xxRM	
UNLESS OTHERWISE SPECIFIED TOLERANCES: .XX ± 1.0 .X ± 1.0 .XX ± 0.5 .XXX ± 0.25 ANGLE ± 1°		DR.		SIBYL	
REV.	SHEET	DWG.NO:		D12D-S1xxRM	
A	1/1	CH.		JAMES	
		AP.			