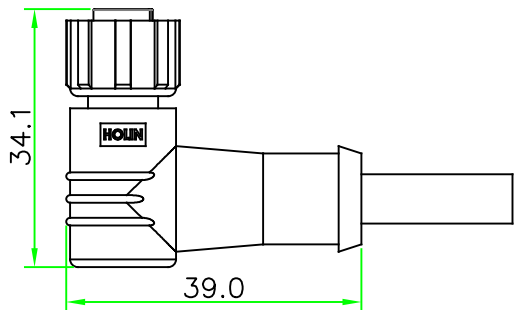
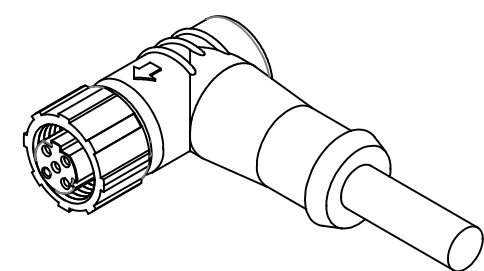
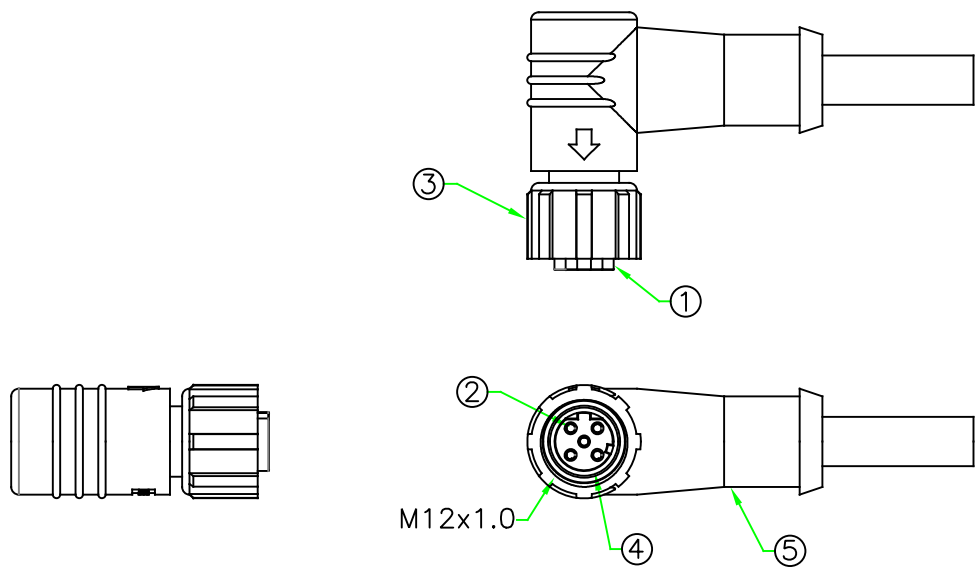
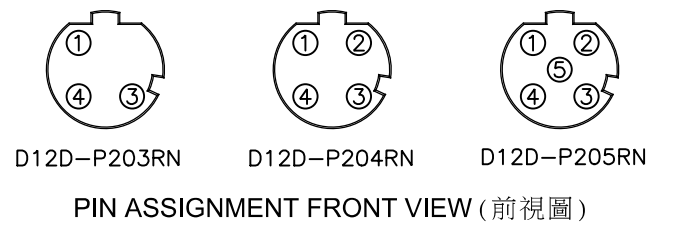


RoHS

REV.	DESCRIPTION	DATE
A	ISSUE	Mar/05/2025



- NOTES:
- ELECTRICAL CHARACTERISTICS:
 CURRENT RATING: 4A
 TEMPERATURE RANGE: -20°C TO +80°C
 DIELECTRIC WITHSTANDING VOLTAGE:
 500V AC FOR ONE MINUTE
 - HOW TO ORDER: D12D-P2xxRN
 03 - 3 PINS
 04 - 4 PINS
 05 - 5 PINS



※Cable specification and length can be customized.

No.	PART NAME	DESCRIPTION	COLOR	Q'TY	REMARKS
5	OVERMOLD	PU or PVC.	BLACK	1	90-135
4	O-RING	Viton.	BLACK	1	
3	RING NUT	Nylon+GF.	BLACK	1	
2	CONTACT	Brass, 6 u" Gold Plated. Female Contact.		N	
1	CONNECTOR	M12 D-Coding Female Connector Insert. Nylon+GF.	BLACK	1	

HOLIN® HTP ASIA TECHNOLOGY CO., LTD.
 禾凌科技股份有限公司

	UNIT: mm	TITLE : M12 D-Coding Female All Plastic R/A Molded Cable
SCALE	1:1	
UNLESS OTHERWISE SPECIFIED TOLERANCES: .XX ± 1.0 .X ± 1.0 .XX ± 0.5 .XXX ± 0.25 ANGLE ± 1°	P/N:	D12D-P2xxRN
REV. A	SHEET 1/1	DWG.NO: D12D-P2xxRN
		DR. SIBYL CH. JAMES AP.