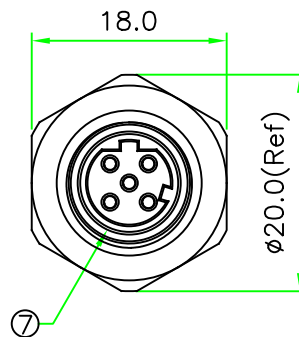
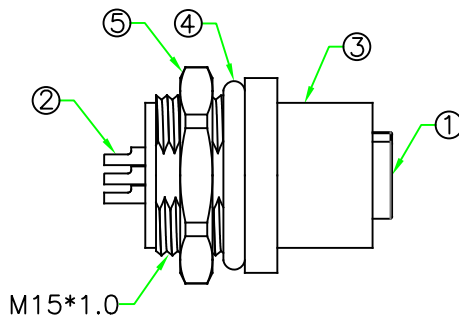
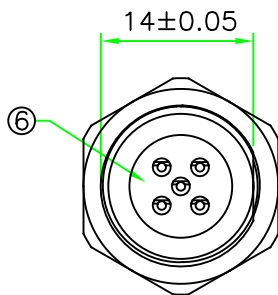
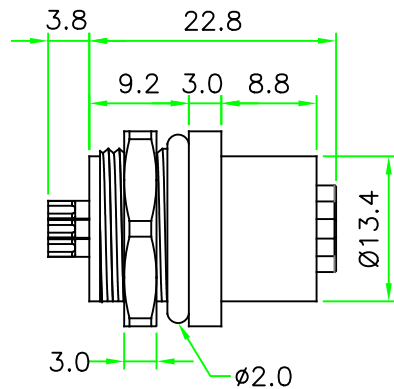
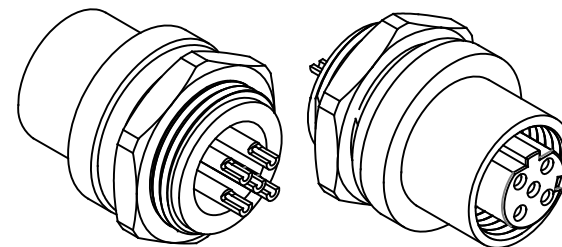


Recommended Panel Cut Out

RoHS



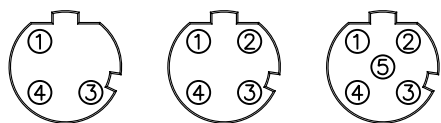
REV.	DESCRIPTION	DATE
A	ISSUE	Sep/13/2025



NOTES:

- ELECTRICAL CHARACTERISTICS:
 CURRENT RATING: 4A
 VOLTAGE RATING : 250V(2~4P). 60V(5P)
 TEMPERATURE RANGE: -40°C TO +85°C
 DIELECTRIC WITHSTANDING VOLTAGE:
 500V AC FOR ONE MINUTE
- PANEL THICKNESS MAX. 3.0mm
- HOW TO ORDER: D12D-M2xxCSF

- 03 - 3 PINS
- 04 - 4 PINS
- 05 - 5 PINS



D12D-M203CSF D12D-M204CSF D12D-M205CSF

Pin Assignment Front View (前視圖)

No.	PART NAME	DESCRIPTION	COLOR	Q'TY	REMARKS
7	O-RING	Viton.	BLACK	1	
6	GLUE	Epoxy.	BLACK	1	
5	HEX NUT	BRASS, Nickel Plated.		1	
4	O-RING	SILICON.	BROWN	1	
3	HOUSING	BRASS, Nickel Plated.		1	
2	CONTACT	BRASS, 6 u" Gold Plated . Female Contact.		N	
1	CONNECTOR	M12 D-Coding Female Connector Insert. Nylon+GF.	BLACK	1	

HOLIN ® HTP ASIA TECHNOLOGY CO., LTD. 禾凌科技股份有限公司	
UNIT: mm SCALE 1.5:1 UNLESS OTHERWISE SPECIFIED TOLERANCES: xx. ± 0.5 .x ± 0.5 .xx ± 0.25 .xxx ± 0.1 ANGLE ± 1°	TITLE M12 D-Coding Female connector Front Mount Circular Flange With Solder Bucket Pin P/N: D12D-M2xxCSF DR. JAMES CH. ERIC DWG. NO: D12D-M2xxCSF AP.
REV. A	SHEET 1/1