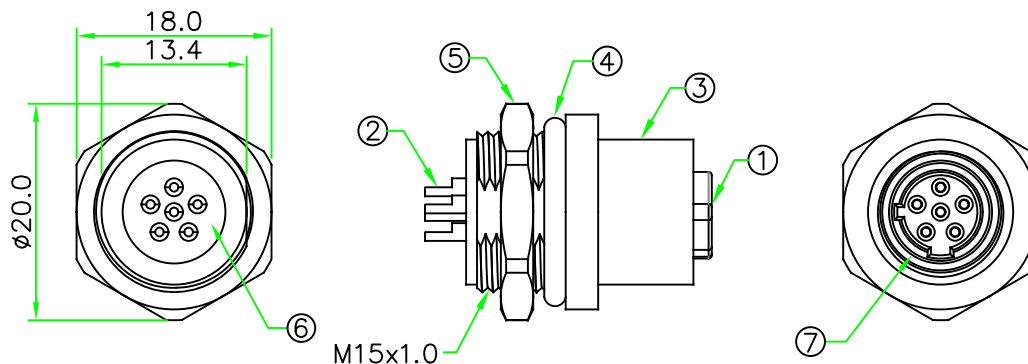
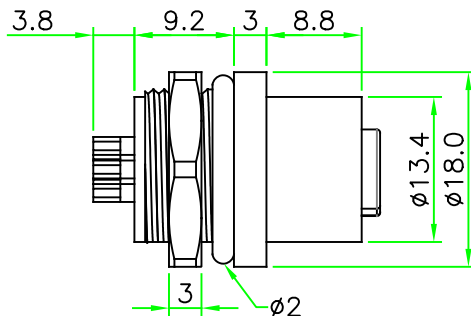


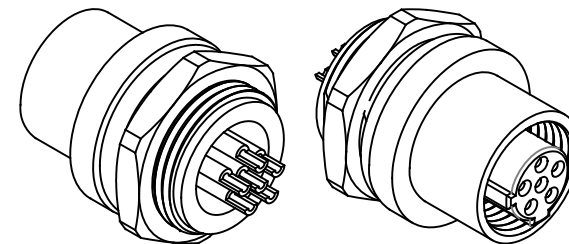
Recommended Panel Cut-Out

RoHS

Note: Hex nut & gasket does not come packaged separately
(Hex nut & gasket 不組裝另外包裝)



REV.	DESCRIPTION	DATE
A	ISSUE	Dec/24/2025

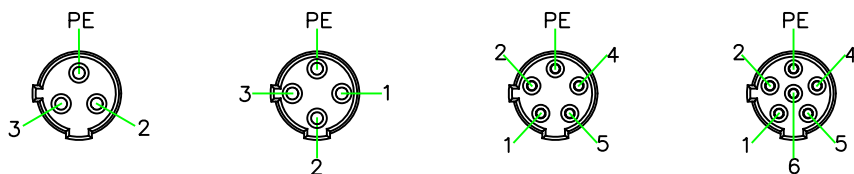


NOTES:

- ELECTRICAL CHARACTERISTICS:
CURRENT RATING: 3~4P 4A / 5~6P 2A
VOLTAGE RATING: 3~4P 250V a.c. or d.c.
5P 60V a.c. or d.c.
6P 30V a.c. or d.c.
TEMPERATURE RANGE: -25°C TO +85°C
DIELECTRIC WITHSTANDING VOLTAGE:
500V AC FOR ONE MINUTE
- PANEL THICKNESS : 3mm Max.
- HOW TO ORDER: C12x-M2xxCSF

- 03 - 3 PINS
- 04 - 4 PINS
- 05 - 5 PINS
- 06 - 6 PINS

- N - CURRENT RATING 2A
- D - CURRENT RATING 4A



C12D-M203CSF C12D-M204CSF C12N-M205CSF C12N-M206CSF
PIN ASSIGNMENT FRONT VIEW (前視圖)

No.	PART NAME	DESCRIPTION	COLOR	Q'TY	REMARKS
7	O-RING	VITON.	BLACK	1	
6	GLUE	Epoxy.	BLACK	1	
5	HEX NUT	BRASS, Nickel Plated.		1	
4	O-RING	SILICON.	RED	1	
3	HOUSING	BRASS, Nickel Plated.		1	
2	CONTACT	BRASS, 6 u" Gold Plated. Female Contact.		N	
1	CONNECTOR	M12 C-Coding Female Connector Insert.	BLACK	1	

HOLIN® HTP ASIA TECHNOLOGY CO., LTD.
禾凌科技股份有限公司

UNIT: mm TITLE M12 C-Coding Female Connector Front Mount Circular Flange Solder Bucket Pin

SCALE 1.5:1

UNLESS OTHERWISE SPECIFIED TOLERANCES:
XX ± 0.5
.X ± 0.5 .XX ± 0.25
.XXX ± 0.1 ANGLE ± 1°

P/N: C12x-M2xxCSF DR. JAMES
CH. ERIC

REV. A SHEET 1/1 DWG.NO: C12x-M2xxCSF AP.