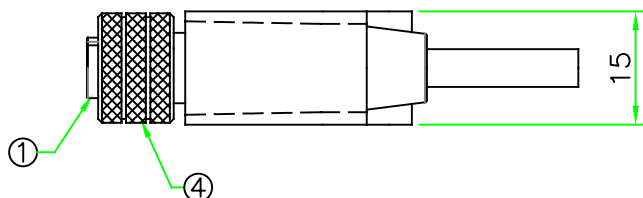
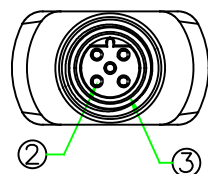
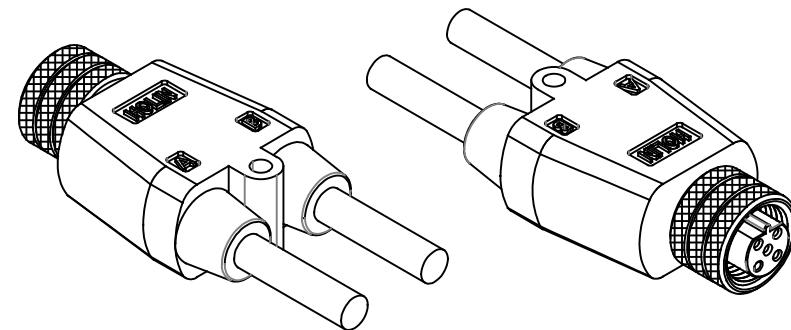
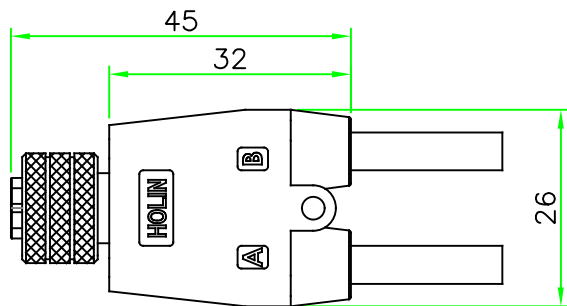


RoHS

REV.	DESCRIPTION	DATE
A	ISSUE	Jan/22/2025



NOTES:

1. ELECTRICAL CHARACTERISTICS:

CURRENT RATING: 4A

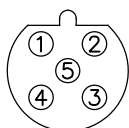
TEMPERATURE RANGE: -25°C TO +85°C

DIELECTRIC WITHSTANDING VOLTAGE:

500V AC FOR ONE MINUTE

2. HOW TO ORDER: B12Y-MFCCxx00

- 02 - 2 PINS
- 03 - 3 PINS
- 04 - 4 PINS
- 05 - 5 PINS



B12-xF

PIN ASSIGNMENT  
FRONT VIEW  
(前視圖)

\*Cable specification and length can be customized.

5	OVERMOLD	PU or PVC.	BLACK	1	29-135-N3
4	RING NUT	Brass, Nickel Plated.		1	
3	O-RING	Viton.	BLACK	1	
2	CONTACT	Brass , 6u" Gold Plated. Female Pin.		N	
1	CONNECTOR	M12 B-Coding Female Connector Insert, Nylon+GF.	BLACK	1	
No.	PART NAME	DESCRIPTION	COLOR	Q'TY	REMARKS

<b>HOLIN®</b> HTP ASIA TECHNOLOGY CO., LTD. 禾凌科技股份有限公司					
	UNIT: mm	TITLE : M12 B-Coding Female Y-Split Molded Cable Ass'y			
	SCALE 1:1	P/N: B12Y-MFCCxx00		DR. SIBYL	
UNLESS OTHERWISE SPECIFIED TOLERANCES: XX, ±1.0 .X ±1.0 .XX ±0.5 .XXX ±0.25 ANGLE ± 1'		REV. A		SHEET 1/1	
		DWG.NO: B12Y-MFCCxx00		CH. JAMES AP.	