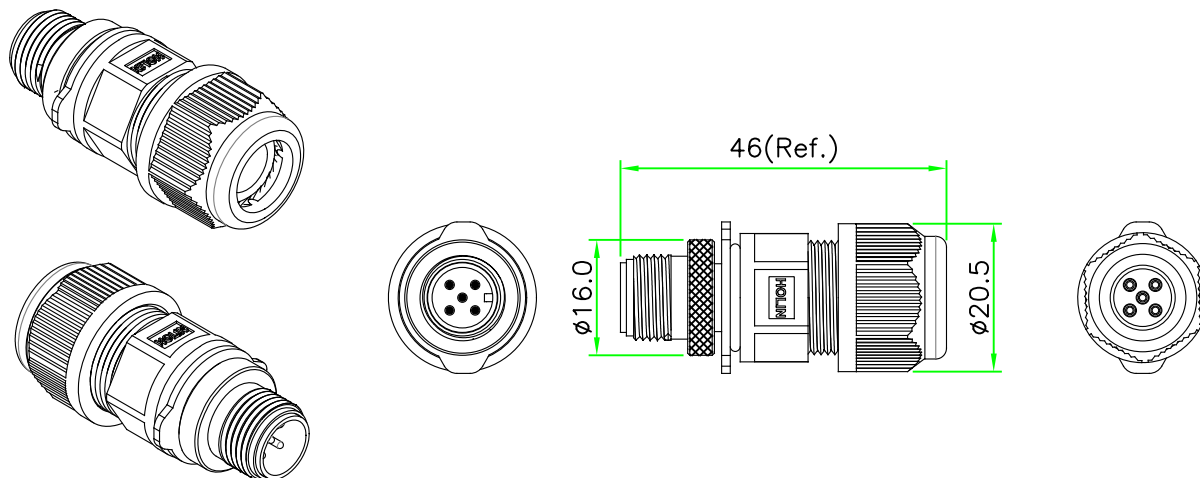


RoHS



REV.	DESCRIPTION	DATE
A	ISSUE	Dec/04/2025

NOTES:

1. ELECTRICAL CHARACTERISTICS:

CURRENT RATING: 4A

VOLTAGE RATING : 250V (3~4P), 60V (5P) ac or dc.

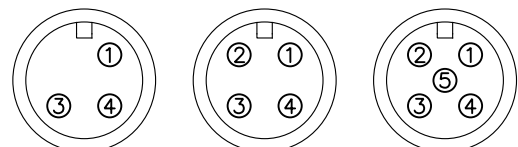
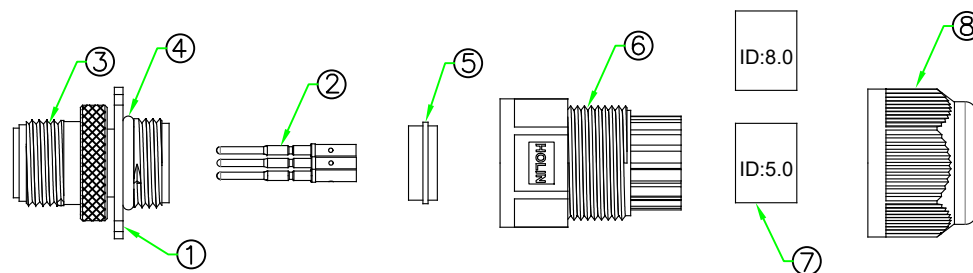
CONNECTOR TEMPERATURE RANGE: -25°C TO +85°C

DIELECTRIC WITHSTANDING VOLTAGE:

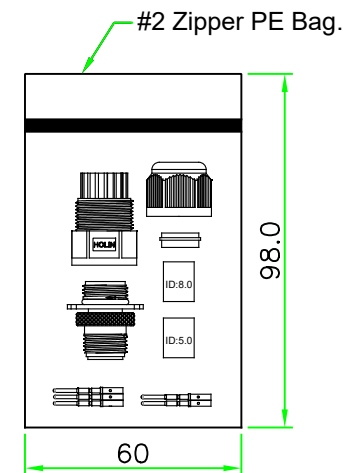
500V AC FOR ONE MINUTE

2. HOW TO ORDER: A12D-M1xxSAC

- 03 - 3 PINS
- 04 - 4 PINS
- 05 - 5 PINS



A12D-M103SAC A12D-M104SAC A12D-M105SAC
PIN ASSIGNMENT FRONT VIEW
(前視圖)



No.	PART NAME	DESCRIPTION	COLOR	Q'TY	REMARKS
8	CLAMP NUT	NYLON+GF	BLACK	1	
7	TUBE	EPDM, (ID= 5.0 & 8.0mm.)	BLACK	2	
6	HOOD	NYLON	BLACK	1	
5	GASKET	SILICON.	BLACK	1	
4	O-RING	SILICON.	BLACK	1	
3	RING NUT	BRASS. Nickel Plated.		1	
2	CONTACT	BRASS. Male Pin. 6u"Gold Plated.		N	
1	CONNECTOR	M12 A-Code Male Connector Insert, NYLON+GF.	BLACK	1	

<p>HOLIN® HTP ASIA TECHNOLOGY CO., LTD. 禾凌科技股份有限公司</p>		<p>UNIT: mm</p>		<p>TITLE M12 A-Coding Male Connector Crimp Type Field Installable Plug with Male Crimp Pin</p>
		<p>SCALE 1:1</p>		
<p>UNLESS OTHERWISE SPECIFIED TOLERANCES: xx. ± 0.5 .x ± 0.5 .xx ± 0.25 .xxx ± 0.1 ANGLE ± 1°</p>		<p>P/N: A12D-M1xxSAC</p>		<p>DR. JAMES</p>
		<p>REV. A SHEET 1/1</p>		<p>CH. ERIC</p>
<p>DWG. NO: A12D-M1xxSAC</p>		<p>AP.</p>		