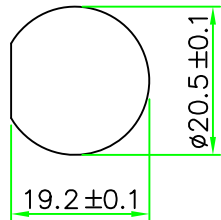
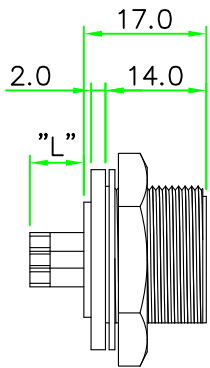


REV.	DESCRIPTION	DATE
A	ISSUE	May/22/2019

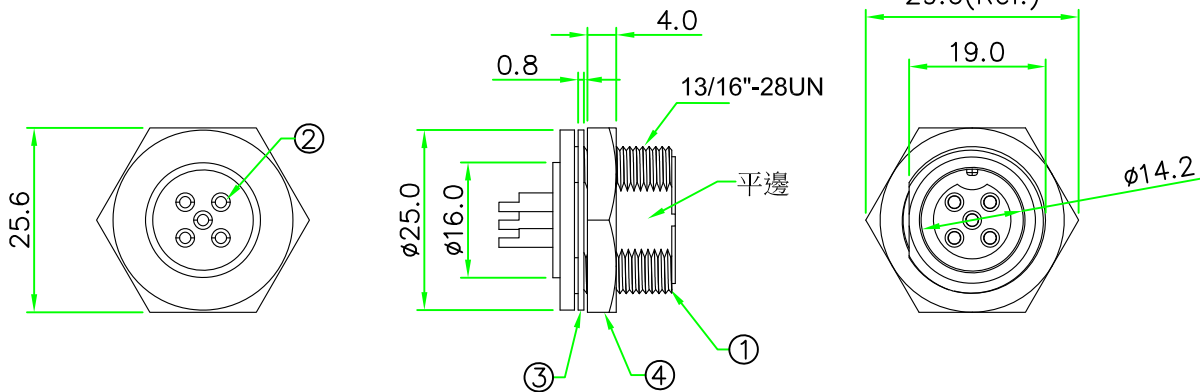
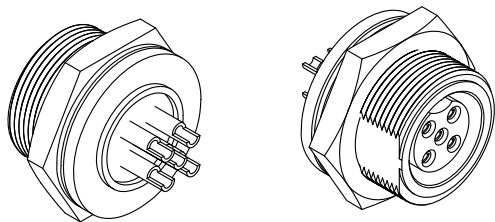


RECOMMENDED
PANEL CUT OUT

RoHS
IP66~68



P/N	L
CCG	7.1
CCP	7.5
CCD	6.5

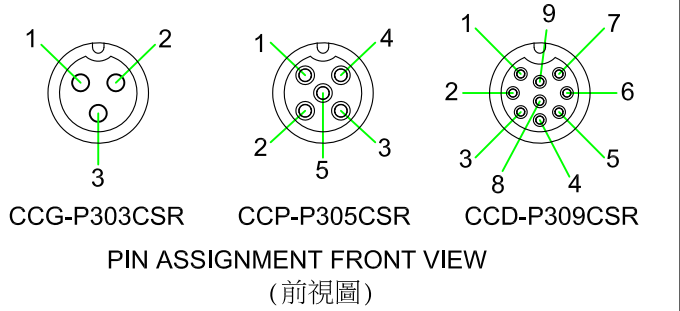


NOTES:

- ELECTRICAL CHARACTERISTICS:
CURRENT RATING: 5A / 10A / 20A
CONNECTOR TEMPERATURE RANGE: -25°C TO +85°C
DIELECTRIC WITHSTANDING VOLTAGE:
500V AC FOR ONE MINUTE
- PANEL THICKNESS MAX. 4.0 mm
- HOW TO ORDER: CCx-P3xxCSR

- 03 - 3 PIN
- 05 - 5 PIN
- 09 - 9 PIN

- G - CURRENT RATING 20A
- P - CURRENT RATING 10A
- D - CURRENT RATING 5A



No.	PART NAME	DESCRIPTION	COLOR	Q'TY	REMARKS
4	HEX NUT	Nylon + GF.	BLACK	1	
3	GASKET	EPDM.	BLACK	1	
2	CONTACT	Brass, 6 u" Gold Plated. Female Contact.		N	
1	CONNECTOR	C Size Male Connector Insert. Nylon+GF.	BLACK	1	

HOLIN® HTP ASIA TECHNOLOGY CO., LTD. 禾凌科技股份有限公司					
		UNIT: mm	TITLE : Circular C Size Male Connector Female Pin Rear Mount Screw Type Round Flange Solder Bucket Pin		
SCALE	1:1	P/N: CCx-P3xxCSR		DR.	SIBYL
UNLESS OTHERWISE SPECIFIED TOLERANCES:		.x ± 0.5 .xx ± 0.25 .xxx ± 0.1		CH.	ERIC
REV.	SHEET	DWG.NO:	AP.		
A	1/1	CCx-P3xxCSR			