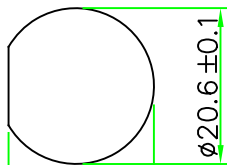


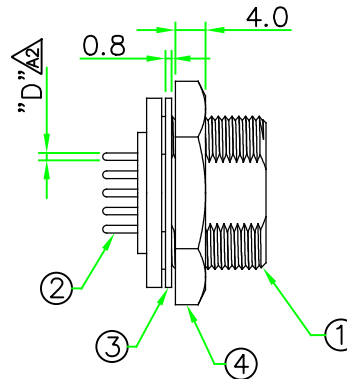
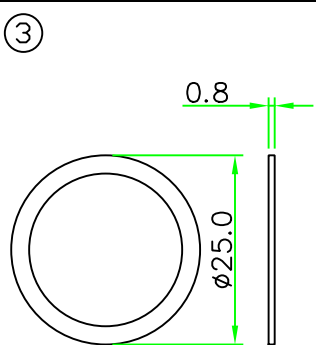
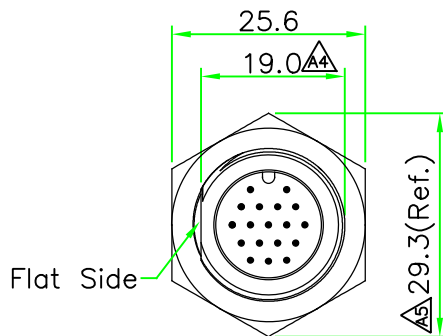
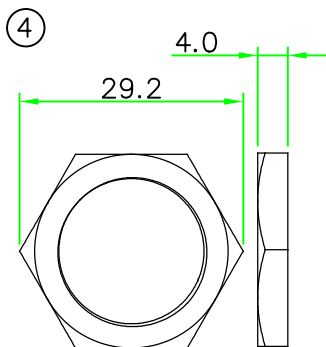
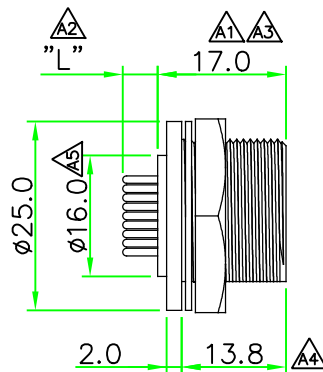
RoHS



19.2 ± 0.1

RECOMMEND
PANEL CUT-OFF

P/N No.	'Qty	L(Ref.)	D
CCG	2~4 Pins	4.4	∅2.4
CCP	4 Pins	4.7	∅1.25
	5~6 Pins	4.6	
CCD	9~14 Pins	4.6	∅1.0
CCN	18 Pins	4.6	∅1.0



REV.	DESCRIPTION	DATE
A	ISSUE	Apr/27/2015
A1	Change dimension	Jul/17/2015
A2	Add Pin Assignment & PCB Layout	May/31/2017
A3	Correct note and dimension.	Jan/22/2019
A4	Modified note table & tolerance.	Sep/06/2019
A5	Add 2~3Pin Spec & modified note.	Aug/14/2020
NOTE1	Add CCG 4P Spec.	Apr/26/2024

NOTES:

- ELECTRICAL CHARACTERISTICS:
CURRENT RATING: 2A / 5A / 10A
CONNECTOR TEMPERATURE RANGE: -25°C TO +85°C
DIELECTRIC WITHSTANDING VOLTAGE:
500V AC FOR ONE MINUTE
- PANEL THICKNESS MAX. 4.0mm
- HOW TO ORDER: CCx-P1xxCPR

Pin Count	Current Rating
02 - 2 PIN	9 - 9 PIN
03 - 3 PIN	10 - 10 PIN
04 - 4 PIN	12 - 12 PIN
05 - 5 PIN	14 - 14 PIN
06 - 6 PIN	18 - 18 PIN

N - CURRENT RATING 2A
D - CURRENT RATING 5A
P - CURRENT RATING 10A
G - CURRENT RATING 20A

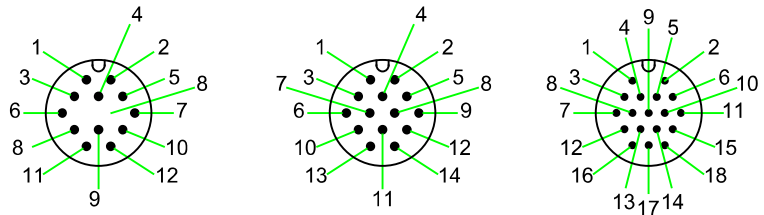
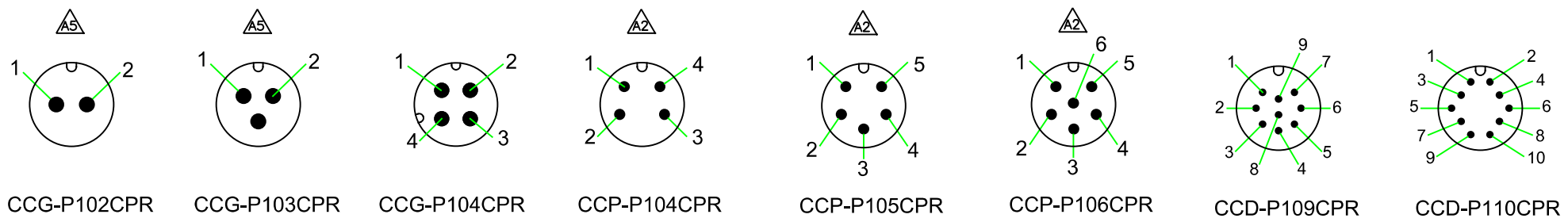
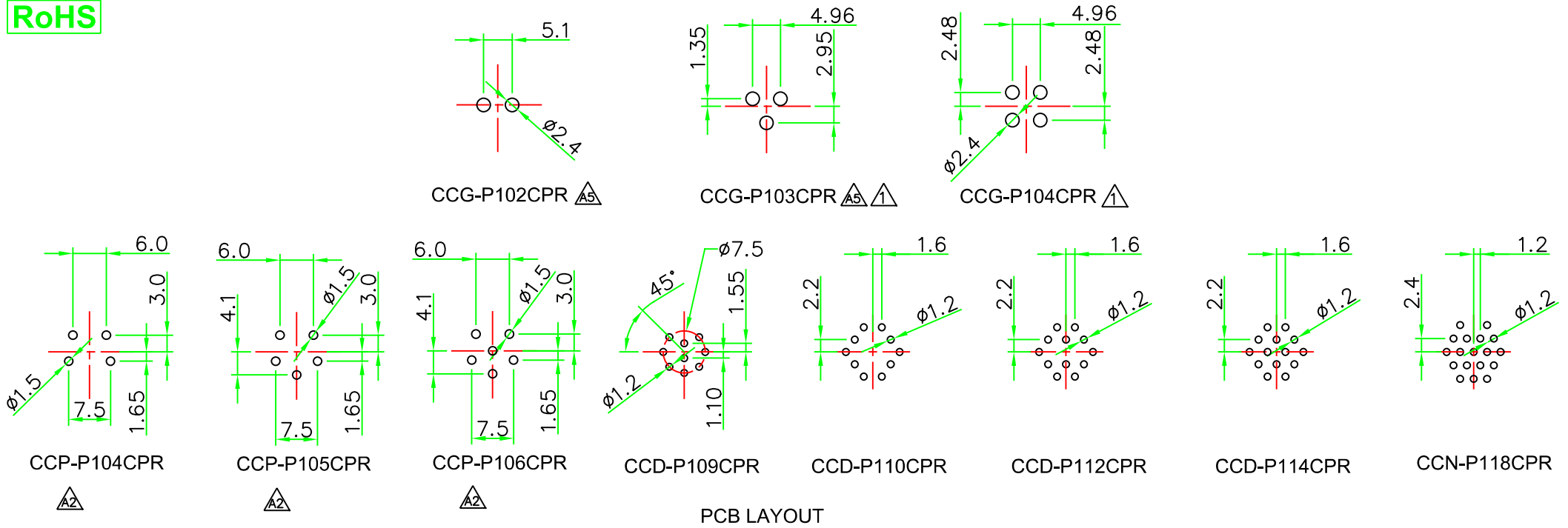
*PIN ASSIGNMENT AND PCB LAYOUT SEE NEXT PAGE

No.	PART NAME	DESCRIPTION	COLOR	Q'TY	REMARKS
4	HEX NUT	Nylon + GF.	BLACK	1	
3	GASKET	EPDM.	BLACK	1	
2	CONTACT	Brass , 6 u" Gold Plated . Male Contact.		N	
1	CONNECTOR	C Size Male Connector Insert.Nylon+GF.	BLACK	1	

HOLIN® HTP ASIA TECHNOLOGY CO., LTD. 禾凌科技股份有限公司	
UNIT: mm	TITLE: CIRCULAR C SIZE MALE PIN SCREW TYPE ROUND FLANGE REAR PANEL MOUNT PCB PIN
SCALE: 1:1	
UNLESS OTHERWISE SPECIFIED TOLERANCES: A	P/N: CCx-P1xxCPR
xx, ± 0.5	
.x ± 0.5, .xx ± 0.25	
.xxx ± 0.1, ANGLE ± 1'	
REV. A5	SHEET 1/2
DWG.NO: CCx-P1xxCPR	

DR. SIBYL
CH. JAMES
AP.

RoHS



PIN ASSIGNMENT FRONT VIEW(前視圖)

HOLIN® HTP ASIA TECHNOLOGY CO., LTD. 禾凌科技股份有限公司			
	UNIT: mm	TITLE CIRCULAR C SIZE MALE PIN SCREW TYPE ROUND FLANGE REAR PANEL MOUNT PCB PIN	
SCALE	1:1	P/N: CCx-P1xxCPR	
UNLESS OTHERWISE SPECIFIED TOLERANCES: ΔA			
.XX, ± 0.5 .X ± 0.5 ,XX ± 0.25 .XXX ± 0.1 ANGLE $\pm 1^\circ$		CH. JAMES	
REV. A5	SHEET 2/2	DWG.NO: CCx-P1xxCPR	AP.