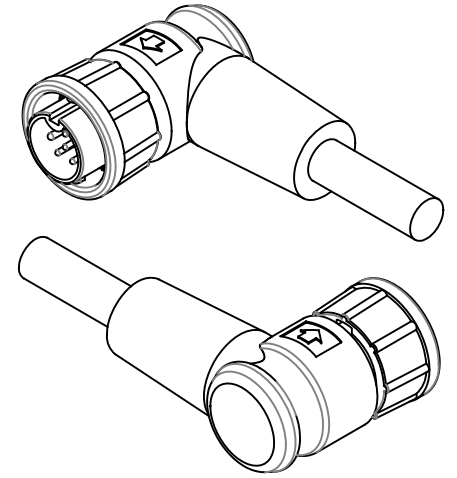
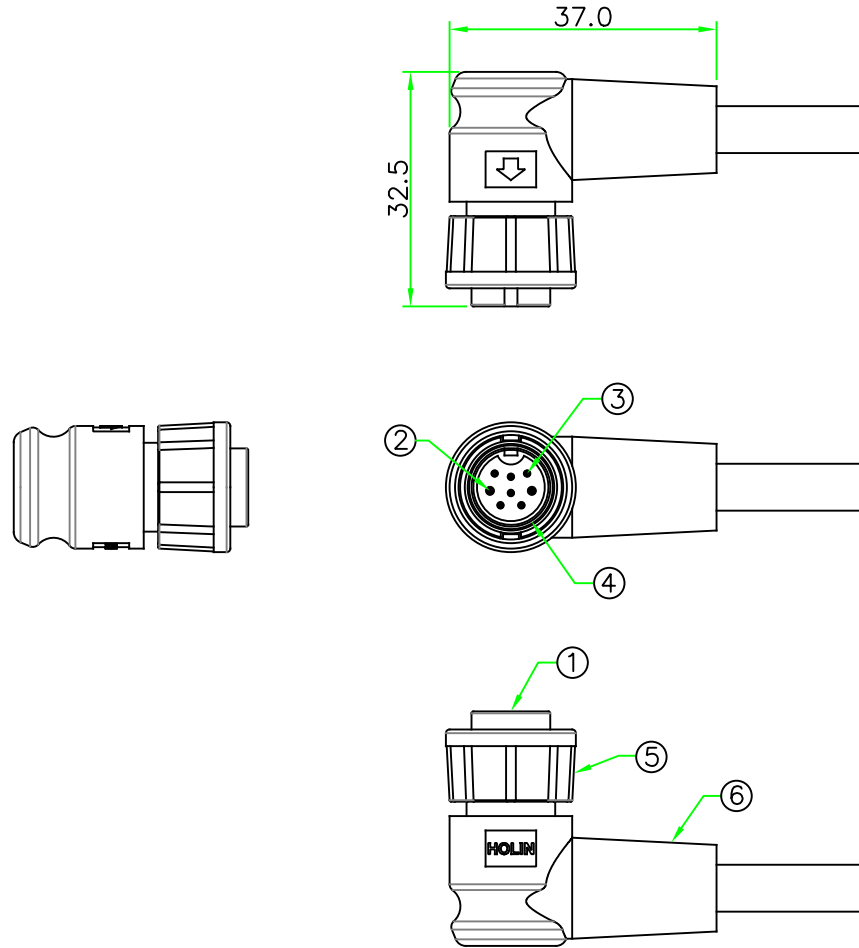


**RoHS**

REV.	DESCRIPTION	DATE
A	ISSUE	Sep/17/2024



PIN ASSIGNMENT  
FRONT VIEW  
(前視圖)

No.	PART NAME	DESCRIPTION	COLOR	Q'TY	REMARKS
6	OVERMOLD	PVC or PU.	BLACK	1	90-1350
5	LOCK NUT	NYLON+GF.	BLACK	1	
4	O-RING	NBR.	BLACK	1	
3	CONTACT	BRASS ,Male Pin. 6u" Gold Plated.		6	
2	CONTACT	BRASS ,Male Pin. 6u" Gold Plated.		2	
1	CONNECTOR	B Size Female/Male Connector Insert, NYLON+GF.	BLACK	1	

HOLIN® HTP ASIA TECHNOLOGY CO., LTD. 禾凌科技股份有限公司	
UNLESS OTHERWISE SPECIFIED TOLERANCES: .XX: ±1.0 .X ±1.0 .XX ±0.5 .XXX ±0.25 ANGLE ± 1°	TITLE : Circular B Size Female/Male Connector Lock Type R/A Molded Cable Ass'y
SCALE 1:1 P/N: CBDN-L426RN DR. JAMES CH. ERIC	DWG.NO: CBDN-L426RN AP.
REV. A SHEET 1/1	DR. JAMES CH. ERIC AP.