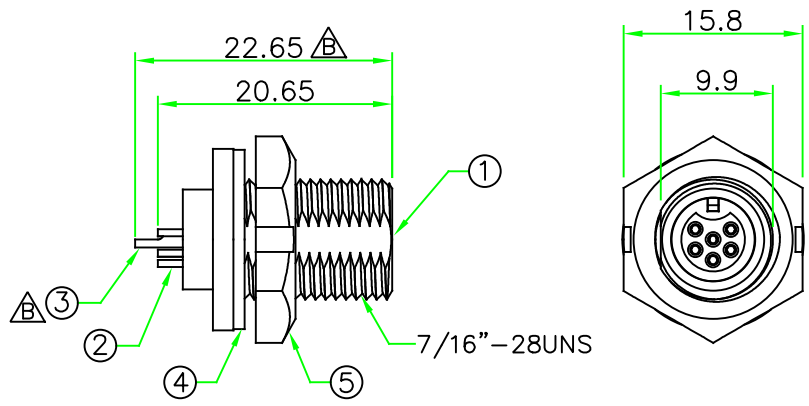
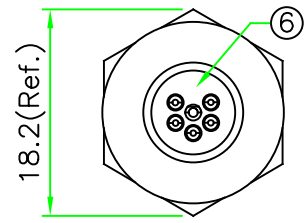
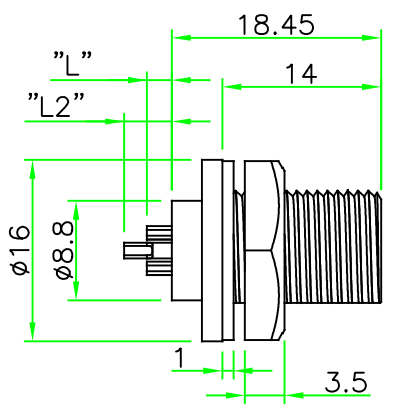
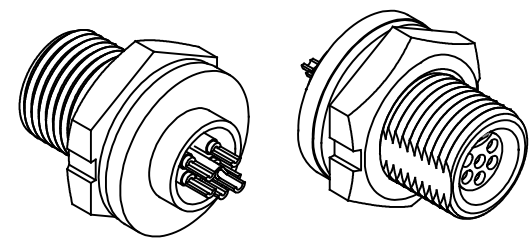


RoHS

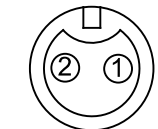


REV.	DESCRIPTION	DATE
A	ISSUE	Jun/07/2016
B	Change central pin.(EC-114004)	Jun/19/2025

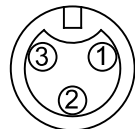


NOTES:

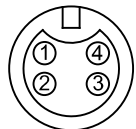
- ELECTRICAL CHARACTERISTICS:  
CURRENT RATING: 2A / 5A  
CONNECTOR TEMPERATURE RANGE: -40°C TO +105°C  
DIELECTRIC WITHSTANDING VOLTAGE:  
500V AC FOR ONE MINUTE
  - HOW TO ORDER: CAx-P3xxCSR  
    - 02 - 2 PIN 05 - 5 PIN
    - 03 - 3 PIN 06 - 6 PIN
    - 04 - 4 PIN
- D - CURRENT RATING 5A  
N - CURRENT RATING 2A



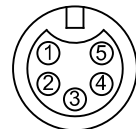
CAD-P302CSR



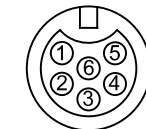
CAD-P303CSR



CAN-P304CSR



CAN-P305CSR



CAN-P306CSR

PIN ASSIGNMENT FRONT VIEW (前視圖)

No.	PART NAME	DESCRIPTION	COLOR	Q'TY	REMARKS
6	GLUE	EPOXY.	BLACK		
5	HEX NUT	Nylon+GF.	BLACK	1	
4	GASKET	EPDM.	BLACK	1	
3	CONTACT	Brass, 6 u" Gold Plated. Female Contact.		N	
2	CONTACT	Brass, 6 u" Gold Plated. Female Contact.		N	
1	CONNECTOR	A Size Male Connector Insert. Nylon+GF.	BLACK	1	

**HOLIN®** HTP ASIA TECHNOLOGY CO., LTD.  
禾凌科技股份有限公司

	UNIT: mm	<b>TITLE</b> Circular A Size Male Connector Female Pin Screw Type Rear Mount Round Flange Solder Bucket Pin
	SCALE 1:1	
UNLESS OTHERWISE SPECIFIED TOLERANCES: .XX ± 0.5 .X ± 0.5 .XX ± 0.25 .XXX ± 0.1 ANGLE ± 1°		<b>P/N:</b> CAx-P3xxCSR
REV. B	SHEET 1/1	
		<b>DWG.NO:</b> CAx-P3xxCSR