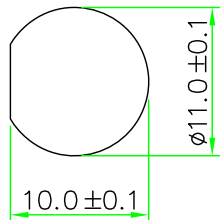
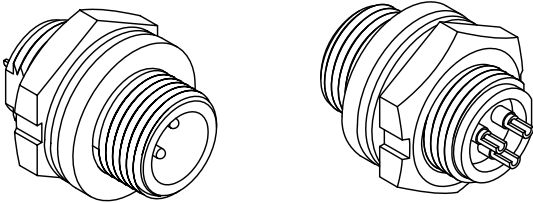
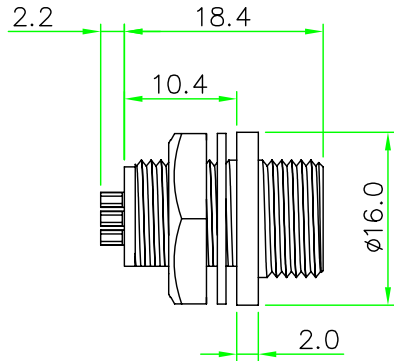


REV.	DESCRIPTION	DATE
A	ISSUE	Sep/21/2015

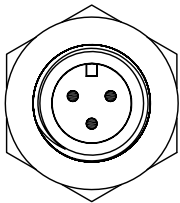
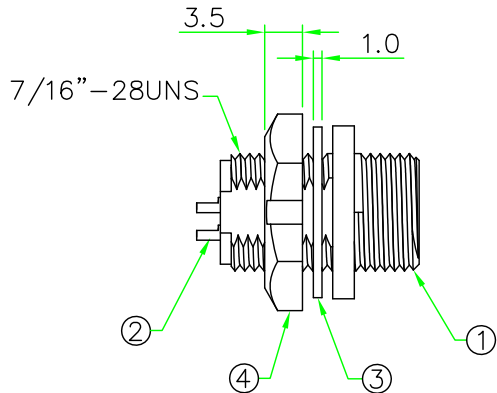
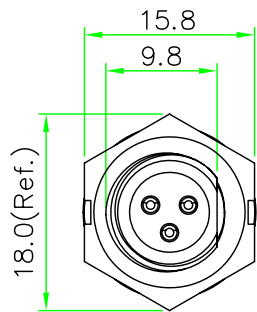


RECOMMENDED  
PANEL CUT-OUT



RoHS

IP66~68



NOTES:

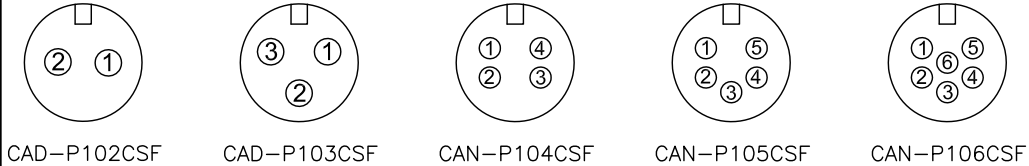
1. ELECTRICAL CHARACTERISTICS:

- CURRENT RATING: 2A / 5A
- CONNECTOR TEMPERATURE RANGE: -25°C TO +85°C
- DIELECTRIC WITHSTANDING VOLTAGE: 500V AC FOR ONE MINUTE

2. HOW TO ORDER: CAx-P1xxCSF

- 02 - 2 PIN 04 - 4 PIN
- 03 - 3 PIN 05 - 5 PIN
- 06 - 6 PIN

- D - CURRENT RATING 5A
- N - CURRENT RATING 2A



PIN ASSIGNMENT FRONT VIEW  
(前視圖)

No.	PART NAME	DESCRIPTION	COLOR	Q'TY	REMARKS
4	HEX NUT	Nylon + GF.	BLACK	1	
3	GASKET	EPDM.	BLACK	1	
2	CONTACT	Brass, 6 u" Gold Plated. Male Contact.		N	
1	CONNECTOR	A Size Male Connector Insert. NYLON+GF.	BLACK	1	

**HOLIN**® HTP ASIA TECHNOLOGY CO., LTD.  
禾凌科技股份有限公司

	UNIT: mm	TITLE :	Circular A Size Male Connector Male Pin Front Mount Screw Type Round Flange Solder Backet Pin	
SCALE	1.5:1	P/N:	CAx-P1xxCSF	DR. Patty
UNLESS OTHERWISE SPECIFIED TOLERANCES: .x ± 0.5 .xx ± 0.25 .xxx ± 0.1 ANGLE ± 1°		CH.	ERIC	
REV. A	SHEET 1/1	DWG.NO:	CAx-P1xxCSF	AP.