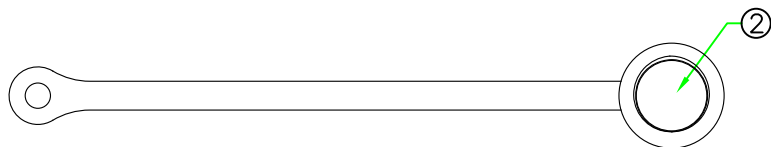
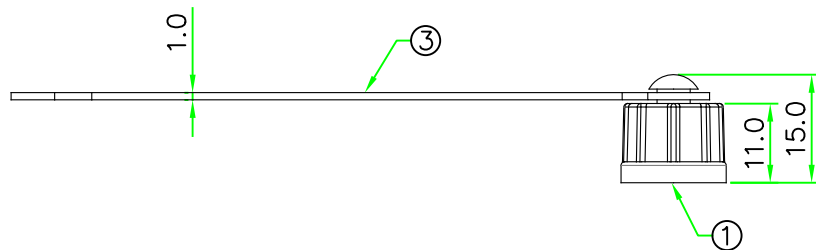
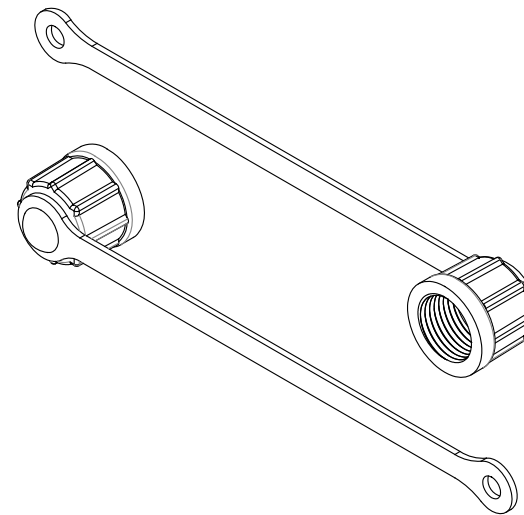
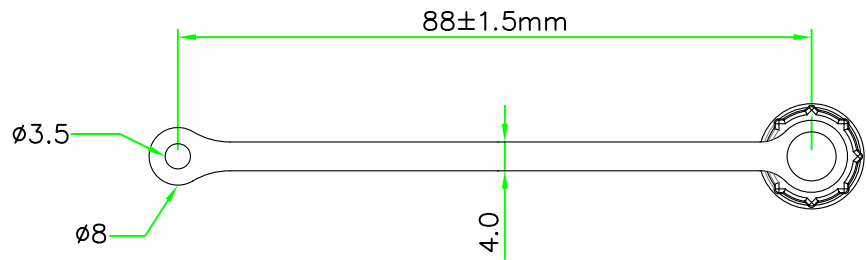


RoHS

REV.	DESCRIPTION	DATE
A	ISSUE	May/23/2023



HOLIN® HTP ASIA TECHNOLOGY CO., LTD.
禾凌科技股份有限公司

	UNIT: mm	TITLE	Waterproof Cap With Rubber Chain For A Size Screw Type Male Panel Connector
SCALE	1:1	P/N:	CAP-WCAP-MRC
UNLESS OTHERWISE SPECIFIED TOLERANCES: XX. ± 0.5 .X ± 0.5 .XX ± 0.25 .XXX ± 0.1 ANGLE ± 1°		DR.	Sibyl
REV.	SHEET	CH.	James
A	1/1	AP.	
DWG.NO:		CAP-WCAP-MRC	

No.	PART NAME	DESCRIPTION	COLOR	Q'TY	REMARKS
3	CHAIN	HYTREL.	BLACK	1	
2	GASKET	EPDM.	BLACK	2	
1	CAP	Screw Type Cap, Nylon+GF.	BLACK	1	