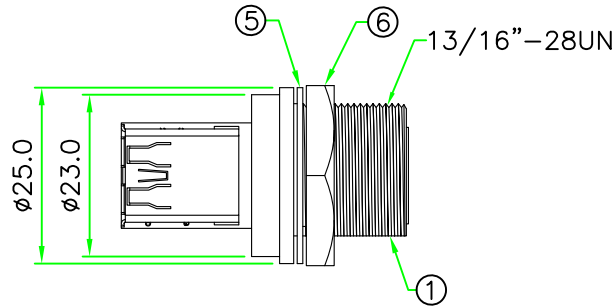
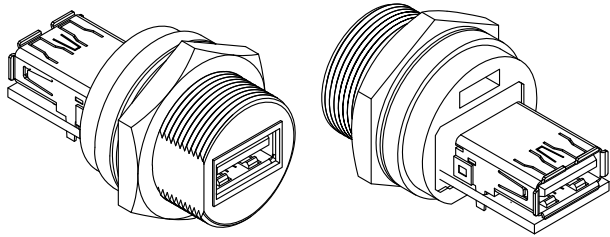


PROPRIETARY AND CONFIDENTIAL
 THE INFORMATION CONTAINED IN THIS DRAWING IS THE SOLE PROPERTY OF HTP ASIA TECHNOLOGY CO., LTD. .
 ANY REPRODUCTION IN PART OR AS A WHOLE WITHOUT THE WRITTEN PERMISSION OF HTP ASIA TECHNOLOGY CO., LTD. IS PROHIBITED.

RoHS



REV.	DESCRIPTION	DATE
A	ISSUE	Oct/03/2012
B	Change P/N NO.	May/23/2014
B1	Correct dimension.	Jun/25/2014
B2	Correct dimension & shape.	Jan/19/2016
C	Change PCB to 4 layer.	Mar/18/2019
D	Change PCB layout.	Oct/26/2021

Notes:

Current Rating :

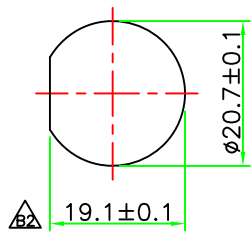
1.8Amp (Pin1, Pin4 & Pin7 of USB3.0)

0.25Amp (Others)

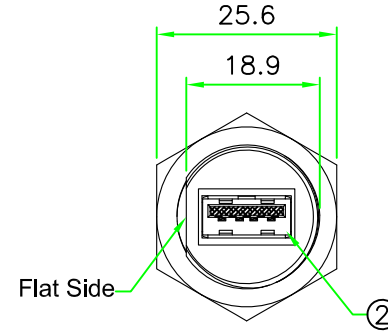
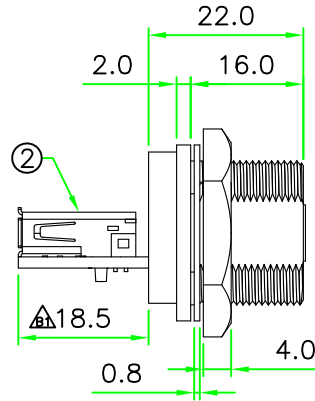
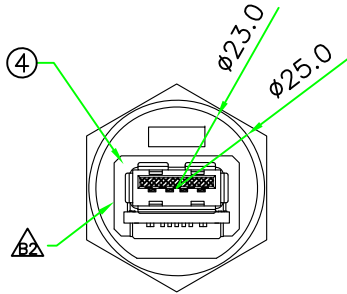
Contact Resistance : 30m Ohm Max.

Insulation Resistance : 100M Ohm Min.

Operating Temperature : -55°C ~ +85°C.

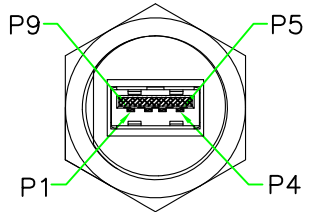


RECOMMENDED
 PANEL CUT OUT



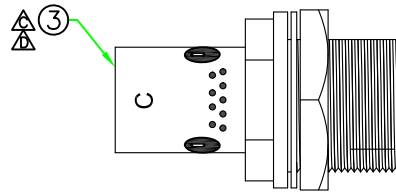
WIRING DIAGRAM

USB 3.0 AF	USB 3.0 AF
1	1
2	2
3	3
4	4
5	8
6	9
7	7
8	5
9	6
SHELL	SHELL



PIN ASSIGNMENT
 FRONT VIEW
 (前視圖)

OLD P/N:USB3AC-P3CRJ
 (原型號)



No.	PART NAME	DESCRIPTION	COLOR	Q'TY	REMARKS
6	HEX NUT	NYLON+GF.	BLACK	1	
5	GASKET	EPDM.	BLACK	1	
4	GLUE	EPOXY.	BLACK	1	
3	PCB	FR4 . 4 Layer, 1.6mm Thickness		1	PCB-USB3AC-4L-C
2	CONNECTOR	USB 3.0 A Type Female Connector.	BLUE	2	
1	BODY	USB A Type Female Connector Body. NYLON+GF.	BLACK	1	

HOLIN® HTP ASIA TECHNOLOGY CO., LTD.
 禾凌科技股份有限公司

UNIT: mm	TITLE : USB 3.0 A TYPE FEMALE C SIZE SCREW TYPE CIRCULAR FLANGE PANEL WITH RIGHT ANGLE USB 3.0 A TYPE FEMALE
SCALE 1:1	P/N: USB3AC-P3CSJ
UNLESS OTHERWISE SPECIFIED TOLERANCES: X ±0.25 XX ±0.1 XXX ±0.05 ANGLE ±1°X	DR. James
REV. D SHEET 1/1	CH. ERIC
	DWG.NO: USB3AC-P3CSJ
	AP.